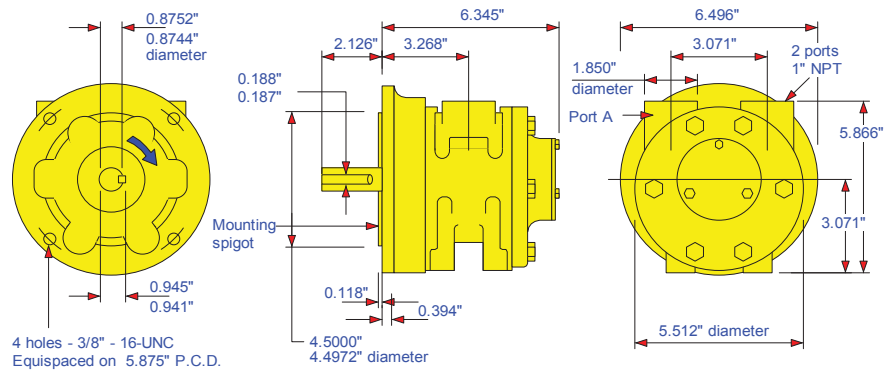


## VA8C Vane Air Motor

Motor code : VA8CXXX10

### 145 TC configuration



Attitude: The motor can be operated in all positions  
Maximum temperature -20°C to +80°C (-4°F to +176°F)  
Muffler supplied with motor

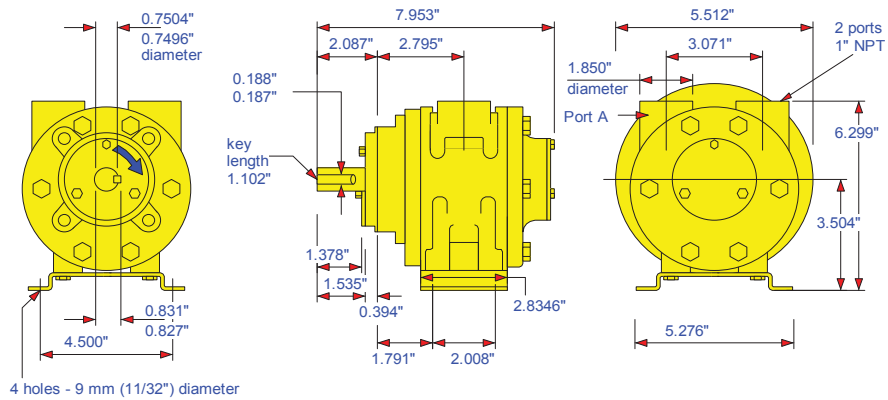
Max. Overhung Force on shaft 620 N (140 lbf.)  
Axial loads should be kept to a minimum  
Mass 11.80 kg (26.01 lb.)

**Note: With air inlet at port 'A', shaft rotation is clockwise looking on shaft.  
For opposite rotation reverse ports.  
Motor is reversible**

## VA8J Vane Air Motor

Motor code : VA8JXXX10

### Foot mounting configuration



Attitude: The motor can be operated in all positions  
Maximum temperature -20°C to +80°C (-4°F to +176°F)  
Muffer supplied with motor

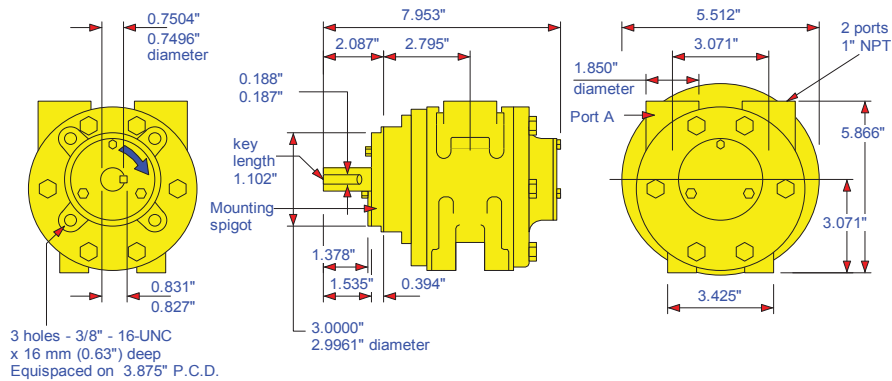
Max. Overhung Force on shaft 620 N (140 lbf.)  
Axial loads should be kept to a minimum  
Mass 11.10 kg (24.46 lb.)

**Note: With air inlet at port 'A', shaft rotation is clockwise looking on shaft.  
For opposite rotation reverse ports.  
Motor is reversible**

## VA8X Vane Air Motor

Motor code : VA8XXXX10

### Face mounting configuration



Attitude: The motor can be operated in all positions  
Maximum temperature -20°C to +80°C (-4°F to +176°F)  
Muffler supplied with motor

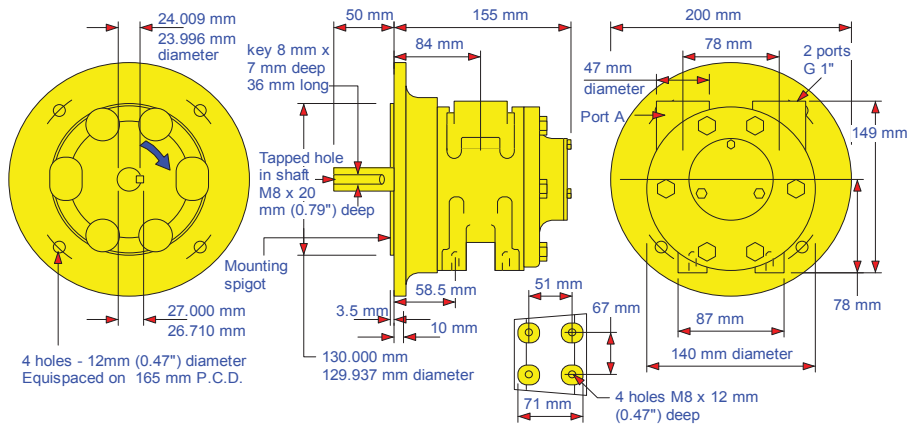
Max. Overhung Force on shaft 620 N (140 lbf.)  
Axial loads should be kept to a minimum  
Mass 11.10 kg (24.46 lb.)

**Note: With air inlet at port 'A', shaft rotation is clockwise looking on shaft.  
For opposite rotation reverse ports.  
Motor is reversible**

## VS8C Vane Air Motor

Motor code : VS8CXXX00

### D90 configuration



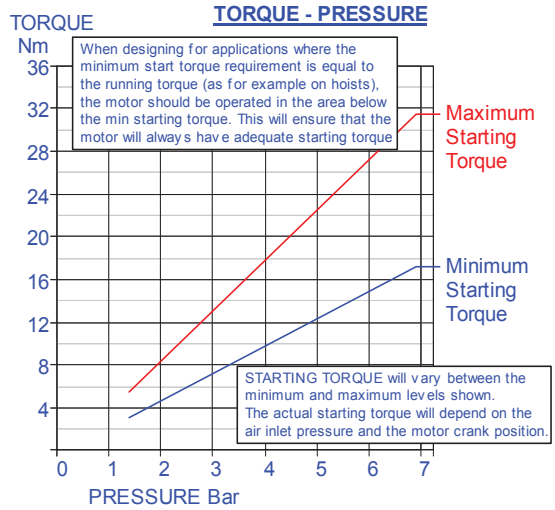
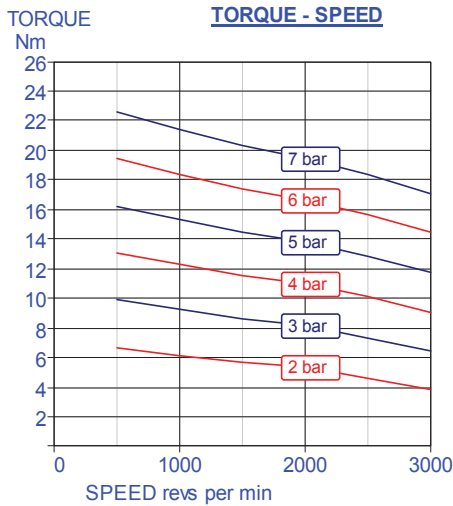
Attitude: The motor can be operated in all positions  
Maximum temperature -20°C to +80°C (-4°F to +176°F)  
Muffler supplied with motor

Max. Overhung Force on shaft 620 N (140 lbf.)  
Axial loads should be kept to a minimum  
Mass 12.20 kg (26.89 lb.)

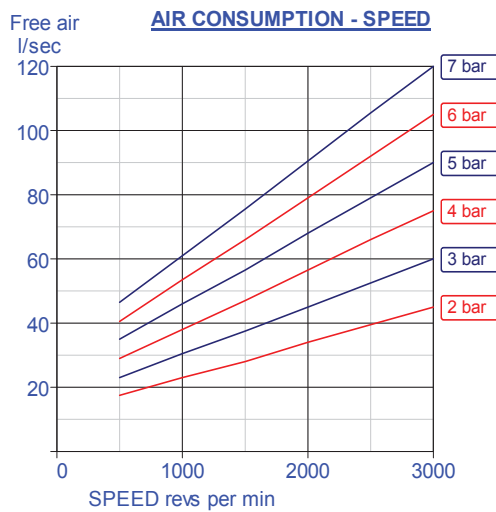
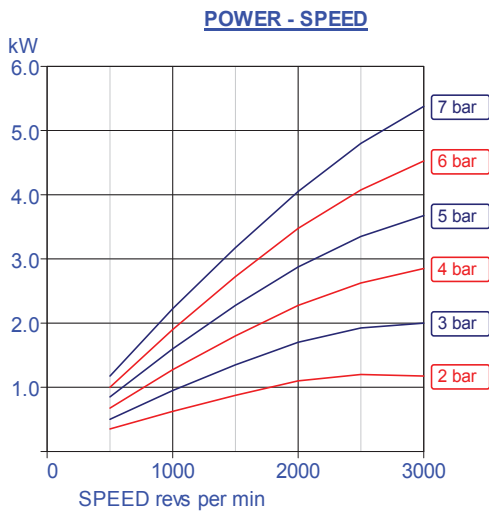
**Note: With air inlet at port 'A', shaft rotation is clockwise looking on shaft. For opposite rotation reverse ports. Motor is reversible**

# V8 Series Vane Air Motor

Maximum continuous speed 3000 rpm



A pressure regulator should be used to control the air pressure to the motor, to limit the maximum output torque applied to the driven assembly.



Muffler supplied with motor  
Motor is reversible

Attitude: The motor can be operated in all positions  
Maximum temperature -20°C to +80°C (-4°F to +176°F)

Max. Overhung Force on motor shaft 620 N (140 lbf.)  
Axial loads should be kept to a minimum

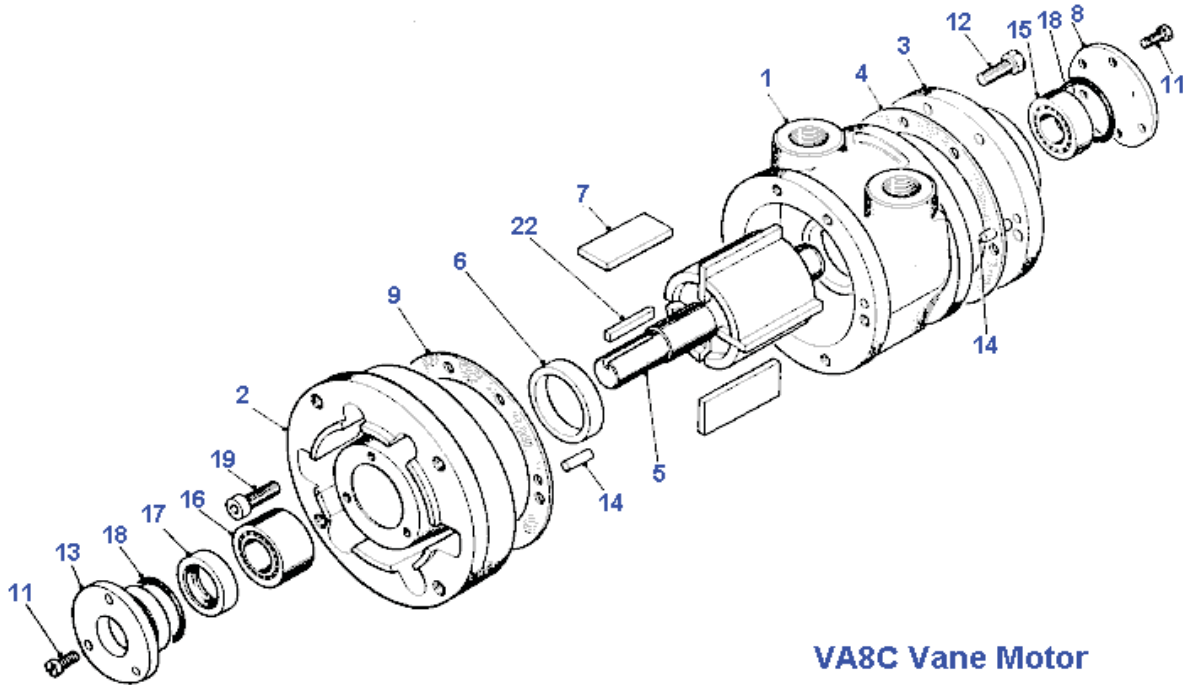
### AIRLINE FILTRATION AND LUBRICATION

Use 64 micron filtration or better. Choose a lubricator suitable for the flow required. Prior to initial start-up, inject oil into the inlet port.

Lubricator drop rate 6-7 drops/minute continuous operation

Lubricator drop rate 12-15 drops/minute intermittent operation

# VA8C Motor Spare Parts List

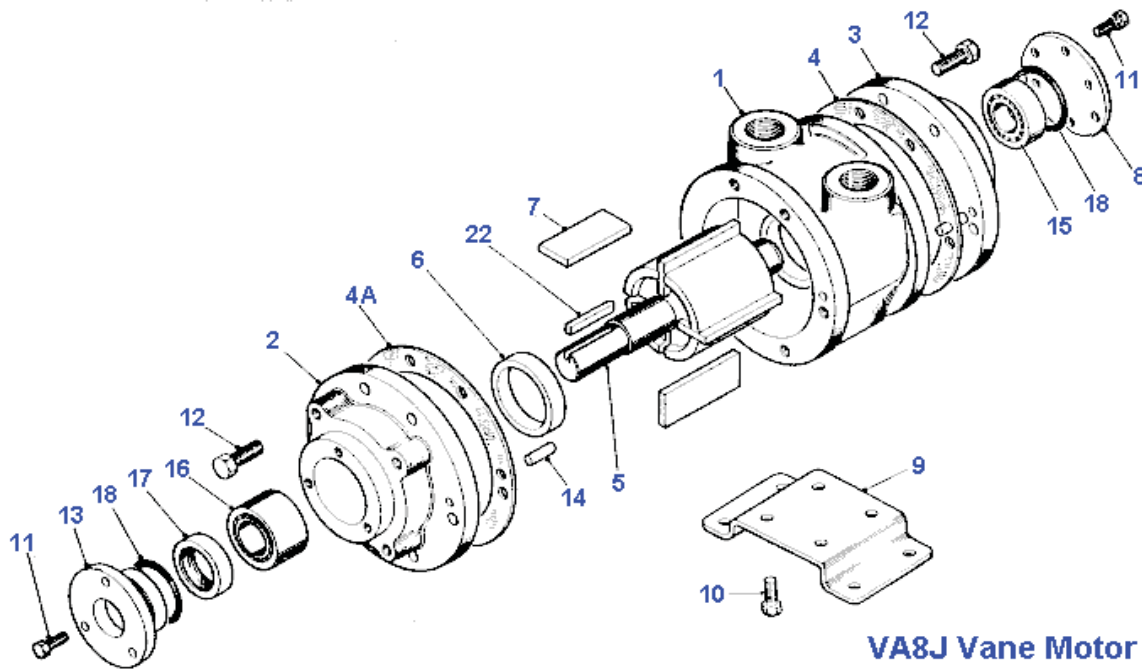


**VA8C Vane Motor**

If unit is pre 1990 supply consult manufacturer to confirm design

Item	Part No.	Description	Qty	Kit No.
01	780-001	Body NPT	1	
02	780-018	Front Plate NEMA 145 TC	1	
03	780-002	End Plate	1	
04	-	Gasket	2	789-910
05	780-910	Rotor Shaft Assy	1	
06	780-006	Ejection Ring	2	
07	-	Blades	4	789-910
08	740-008	Cover Plate	1	
09-1	-	Gasket	1	789-910
09-2	-	Gasket	1	789-910
09-3	-	Gasket	1	789-910
11	802-001	Screw	6	
12	802-032	Screw	6	
13	780-007	Seal Housing	1	
14	806-024	Dowel	4	
15	807-026	Bearing	1	
16	807-036	Bearing	1	
17	-	Oil Seal	1	789-910
18	-	O Ring	2	789-910
19	809-030	Screw	6	
22	811-020	Key	1	
	789-910	V8 Seal Kit		
	820-026	Silencer 1" NPT	1	

## VA8J / VA8X Motor Spare Parts List

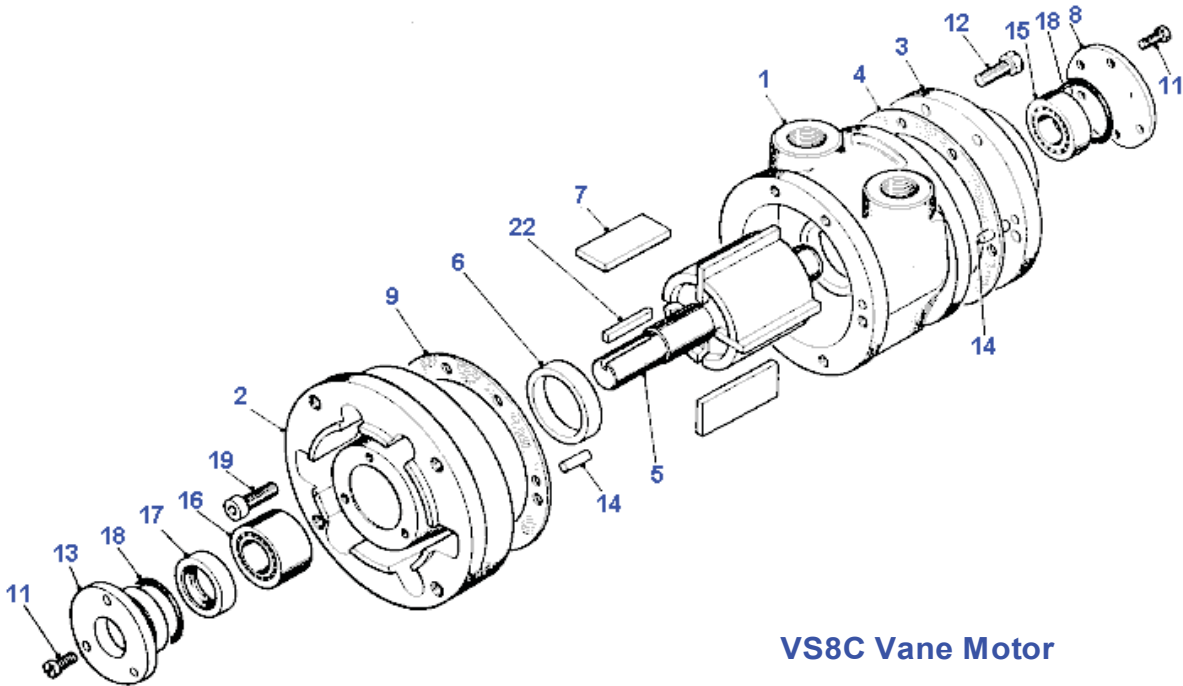


**VA8J Vane Motor**

If unit is pre 1990 supply consult manufacturer to confirm design

<u>Item</u>	<u>Part No.</u>	<u>Description</u>	<u>Qty</u>	<u>Kit No.</u>
01	780-001	Body NPT	1	
02	780-003	Front Plate	1	
03	780-002	End Plate	1	
04	-	Gasket	2	789-910
04A-1	-	Gasket	1	789-910
04A-2	-	Gasket	1	789-910
04A-3	-	Gasket	1	789-910
05	780-911	Rotor Shaft Assy	1	
06	780-006	Ejection Ring	2	
07	-	Blades	4	789-910
08	740-008	Cover Plate	1	
09	780-023	Foot	1	
10	809-026	Capscrew	4	
11	802-001	Screw	6	
12	802-032	Set Screw	12	
13	780-007	Seal Housing	1	
14	806-024	Dowel	4	
15	807-026	Bearing	1	
16	807-036	Bearing	1	
17	-	Oil Seal	1	789-910
18	-	O Ring	2	789-910
22	811-021	Key	1	
	789-910	V8 Seal Kit		
	820-026	Silencer 1" NPT	1	

## VS8C Motor Spare Parts List



**VS8C Vane Motor**

If unit is pre 1990 supply consult manufacturer  
to confirm design

<u>Item</u>	<u>Part No.</u>	<u>Description</u>	<u>Qty</u>	<u>Kit No.</u>
01	780-101	Body BSP	1	
02	780-036	Front Plate D90	1	
03	780-002	End Plate	1	
04	-	Gasket	2	789-910
05	780-922	Rotor Shaft Assy	1	
06	780-006	Ejection Ring	2	
07	-	Blades	4	789-910
08	740-008	Cover Plate	1	
09-1	-	Gasket	1	789-910
09-2	-	Gasket	1	789-910
09-3	-	Gasket	1	789-910
11	802-001	Screw	6	
12	802-032	Screw	6	
13	780-007	Seal Housing	1	
14	806-024	Dowel	4	
15	807-026	Bearing	1	
16	807-036	Bearing	1	
17	-	Oil Seal	1	789-910
18	-	O Ring	2	789-910
19	809-030	Screw	6	
22	811-042	Key	1	
	789-910	V8 Seal Kit		
	820-006	Silencer 1" BSP	1	