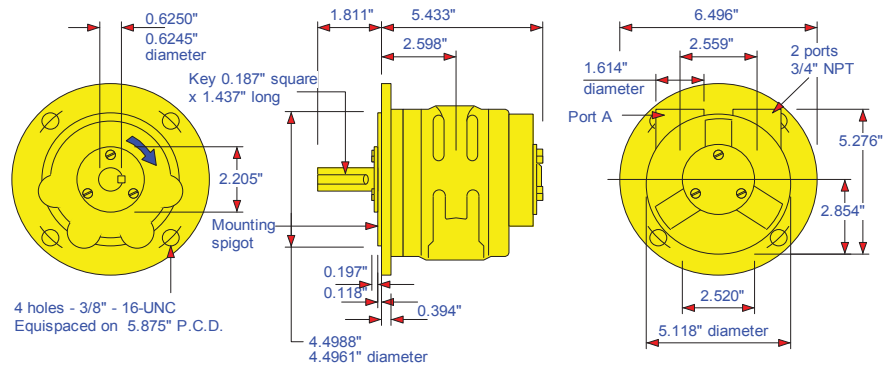


## VA6C Vane Air Motor

Motor code : VA6CXXX10

### Nema 56C configuration



Altitude: The motor can be operated in all positions  
Maximum temperature -20°C to +80°C (-4°F to +176°F)  
Muffler supplied with motor

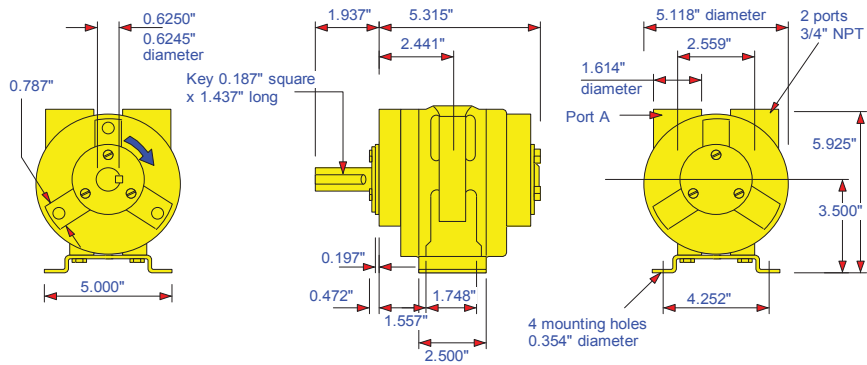
Max. Overhung Force on shaft 300 N (70 lbf.)  
Axial loads should be kept to a minimum  
Mass 10.00 kg (22.04 lb.)

**Note: With air inlet at port 'A', shaft rotation is clockwise looking on shaft. For opposite rotation reverse ports. Motor is reversible**

## VA6J Vane Air Motor

Motor code : VA6JXXX10

### Foot mounting configuration



Attitude: The motor can be operated in all positions  
Maximum temperature -20°C to +80°C (-4°F to +176°F)  
Muffler supplied with motor

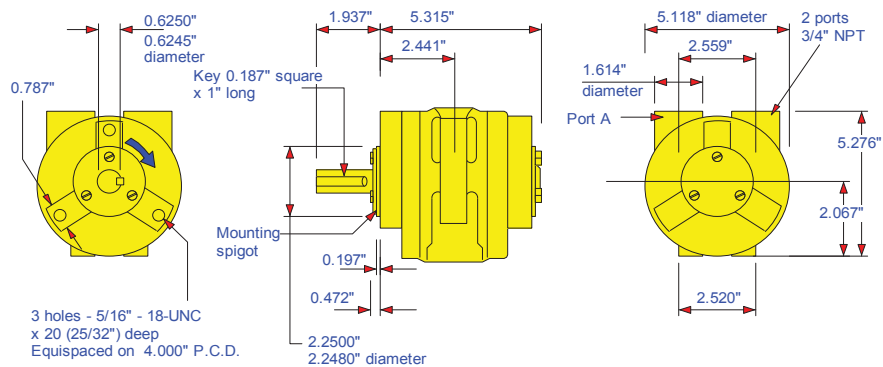
Max. Overhung Force on shaft 300 N (70 lbf.)  
Axial loads should be kept to a minimum  
Mass 7.60 kg (16.75 lb.)

**Note: With air inlet at port 'A', shaft rotation is clockwise looking on shaft. For opposite rotation reverse ports. Motor is reversible**

## VA6X Vane Air Motor

Motor code : VA6XXX10

### Face mounting configuration



Attitude: The motor can be operated in all positions  
Maximum temperature -20°C to +80°C (-4°F to +176°F)  
Muffler supplied with motor

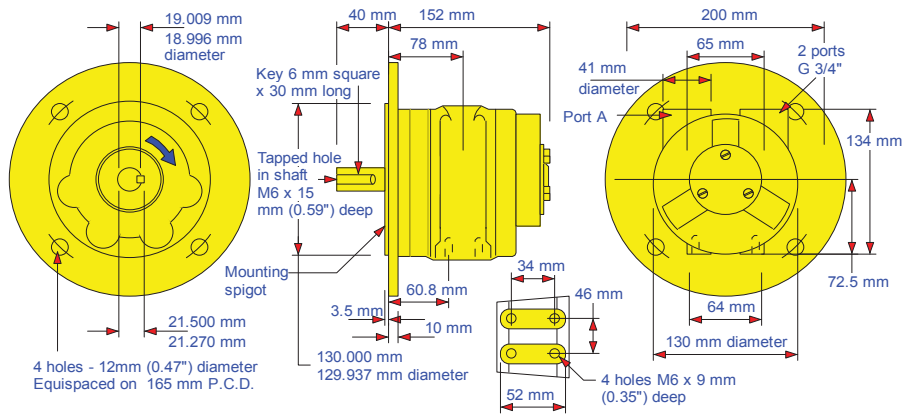
Max. Overhung Force on shaft 300 N (70 lbf.)  
Axial loads should be kept to a minimum  
Mass 7.60 kg (16.75 lb.)

**Note: With air inlet at port 'A', shaft rotation is clockwise looking on shaft.  
For opposite rotation reverse ports.  
Motor is reversible**

## VS6C Vane Air Motor

Motor code : VS6CXXX00

### D80 configuration



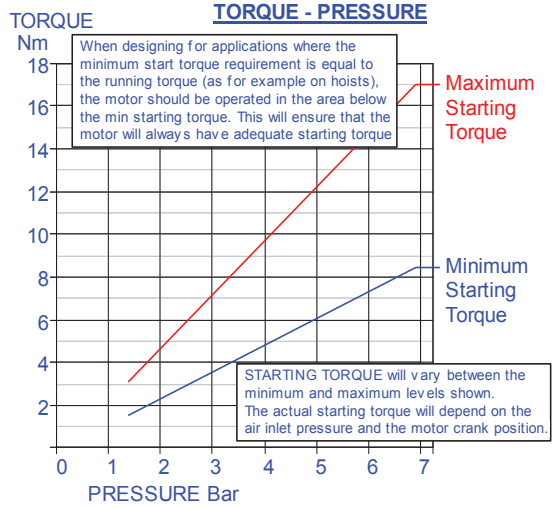
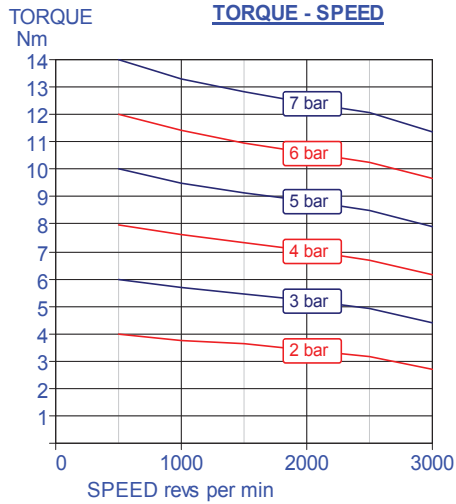
Attitude: The motor can be operated in all positions  
Maximum temperature -20°C to +80°C (-4°F to +176°F)  
Muffler supplied with motor

Max. Overhung Force on shaft 300 N (70 lbf.)  
Axial loads should be kept to a minimum  
Mass 11.30 kg (24.91 lb.)

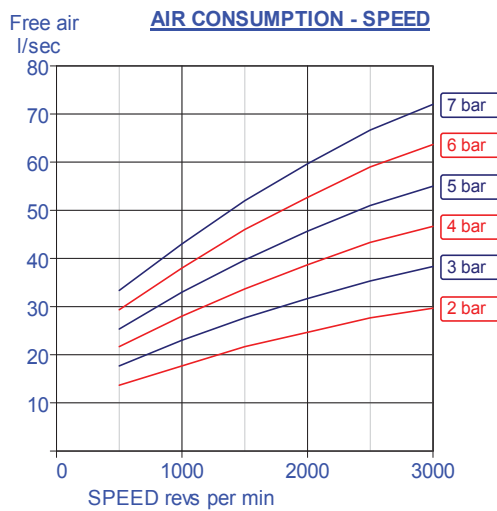
**Note: With air inlet at port 'A', shaft rotation is clockwise looking on shaft.  
For opposite rotation reverse ports.  
Motor is reversible**

# V6 Series Vane Air Motor

## Maximum continuous speed 3000 rpm



A pressure regulator should be used to control the air pressure to the motor, to limit the maximum output torque applied to the driven assembly.



Muffler supplied with motor  
Motor is reversible

Attitude: The motor can be operated in all positions  
Maximum temperature -20°C to +80°C (-4°F to +176°F)

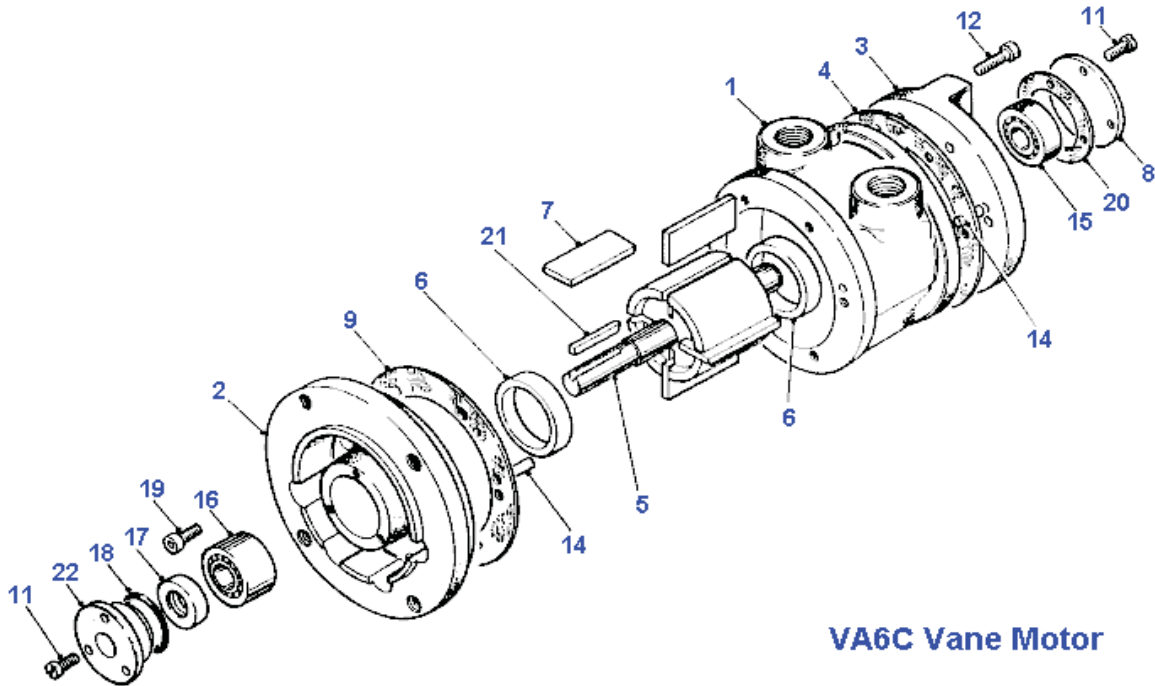
Max. Overhung Force on motor shaft 300 N (70 lbf.)  
Axial loads should be kept to a minimum

### AIRLINE FILTRATION AND LUBRICATION

Use 64 micron filtration or better. Choose a lubricator suitable for the flow required. Prior to initial start-up, inject oil into the inlet port.

Lubricator drop rate 5-6 drops/minute continuous operation  
Lubricator drop rate 10-12 drops/minute intermittent operation

# VA6C Motor Spare Parts List

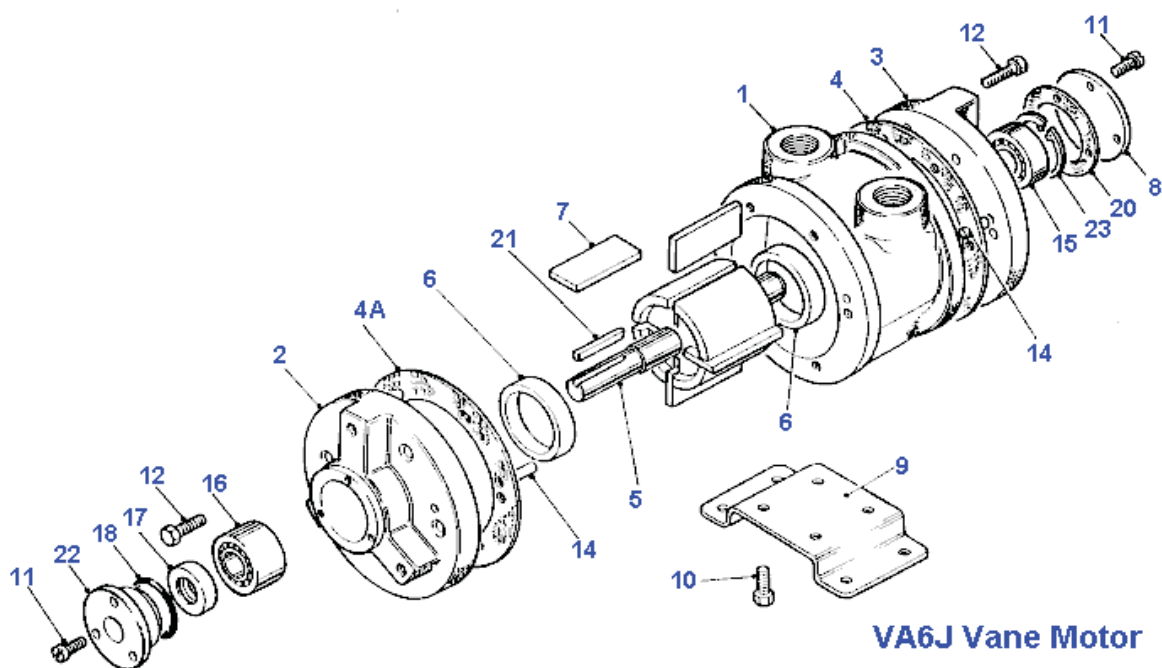


**VA6C Vane Motor**

If unit is pre 1990 supply consult manufacturer to confirm design

Item	Part No.	Description	Qty	Kit No.
01	760-001	Body	1	
02	760-018	Front Plate NEMA 56C	1	
03	760-002	End Plate	1	
04	-	Gasket	2	769-910
05	760-911	Rotor Shaft Assy	1	
06	760-006	Ejection Ring	2	
07	-	Blades	4	769-910
08	760-008	Cover Plate	1	
09-1	-	Gasket	1	769-910
09-2	-	Gasket	1	769-910
09-3	-	Gasket	1	769-910
11	805-006	Screw	6	
12	809-009	Cap Screw	6	
14	806-024	Dowel	4	
15	807-028	Bearing	1	
16	807-025	Bearing	1	
17	-	Oil Seal	1	769-910
18	-	O Ring	1	769-910
19	809-007	Capscrew	6	
20	-	Gasket	1	769-910
21	811-020	Key	1	
22	760-007	Seal Housing	1	
	769-910	V6 Seal Kit		
	820-025	Silencer 3/4 NPT	1	

## VA6J / VA6X Motor Spare Parts List

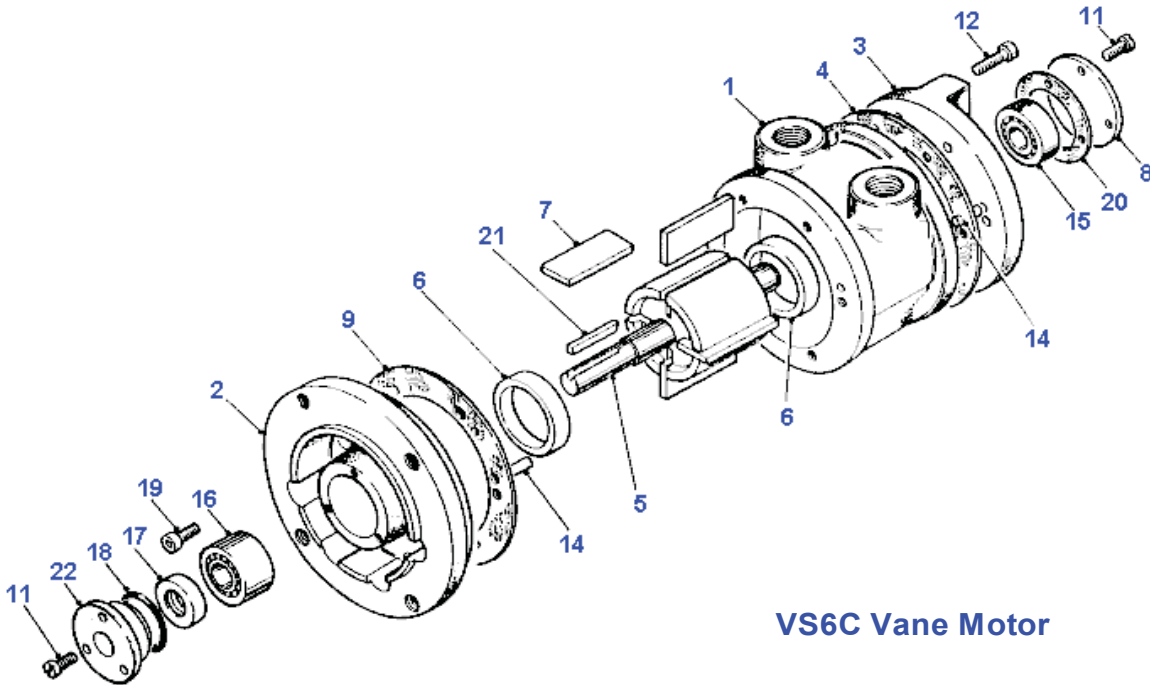


**VA6J Vane Motor**

If unit is pre 1990 supply consult manufacturer to confirm design

Item	Part No.	Description	Qty	Kit No.
01	760-001	Body	1	
02	760-003	Front Plate	1	
03	760-002	End Plate	1	
04	-	Gasket	2	769-910
04A-1	-	Gasket	1	769-910
04A-2	-	Gasket	1	769-910
04A-3	-	Gasket	1	769-910
05	760-911	Rotor Shaft Assy	1	
06	760-006	Ejection Ring	2	
07	-	Blades	4	769-910
08	760-008	Cover Plate	1	
09	760-023	Foot	1	
10	802-012	Screw	4	
11	805-006	Screw	6	
12	809-009	Cap Screw	12	
14	806-024	Dowel	4	
15	807-025	Bearing	1	
16	807-028	Bearing	1	
17	-	Oil Seal	1	769-910
18	-	O Ring	1	769-910
20	-	Gasket	1	769-910
21	811-020	Key	1	
22	760-007	Seal Housing	1	
23	-	Circlip	1	769-910
	769-910	V6 Seal Kit		
	820-025	Silencer 3/4 NPT	1	

## VS6C Motor Spare Parts List



**VS6C Vane Motor**

If unit is pre 1990 supply consult manufacturer to confirm design

<u>Item</u>	<u>Part No.</u>	<u>Description</u>	<u>Qty</u>	<u>Kit No.</u>
01	760-101	Body	1	
02	760-036	Front Plate D80	1	
03	760-002	End Plate	1	
04	-	Gasket	2	769-910
05	760-921	Rotor Shaft Assy	1	
06	760-006	Ejection Ring	2	
07	-	Blades	4	769-910
08	760-008	Cover Plate	1	
09-1	-	Gasket	1	769-910
09-2	-	Gasket	1	769-910
09-3	-	Gasket	1	769-910
11	805-006	Screw	6	
12	809-009	Cap Screw	6	
14	806-024	Dowel	4	
15	807-025	Bearing	1	
16	807-026	Bearing	1	
17	-	Oil Seal	1	769-910
18	-	O Ring	1	769-910
19	809-007	Capscrew	6	
20	-	Gasket	1	769-910
21	811-001	Key	1	
22	780-007	Seal Housing	1	
	769-910	V6 Seal Kit		
	820-005	Silencer 3/4 BSP	1	