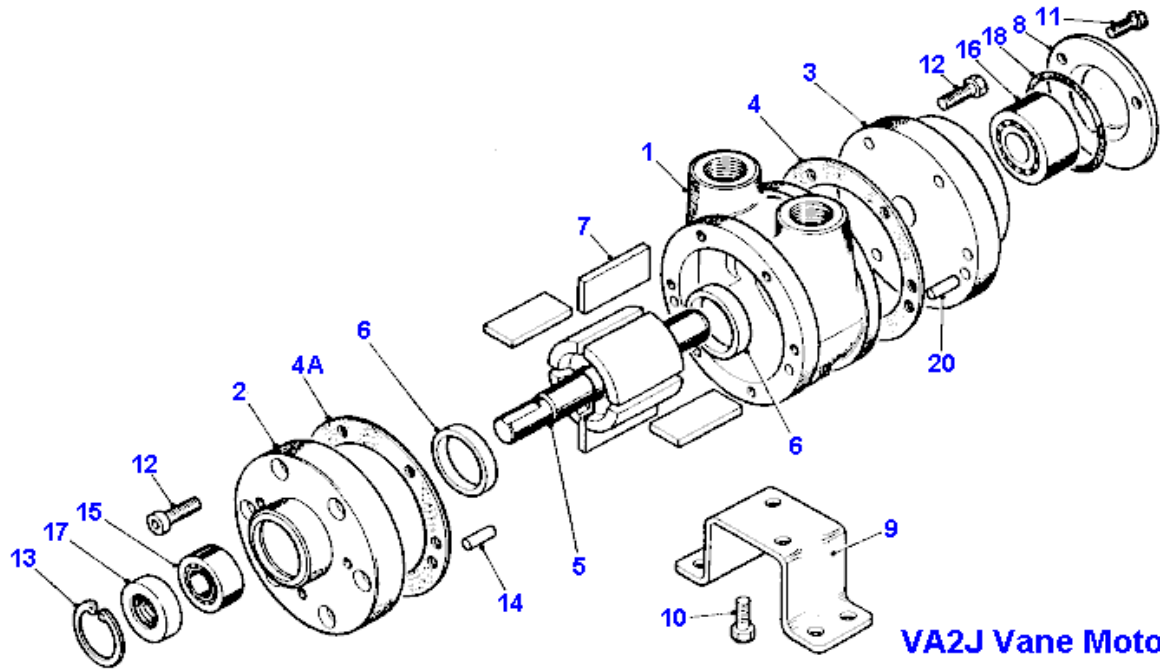


VA2J / VA2X Motor Spare Parts List

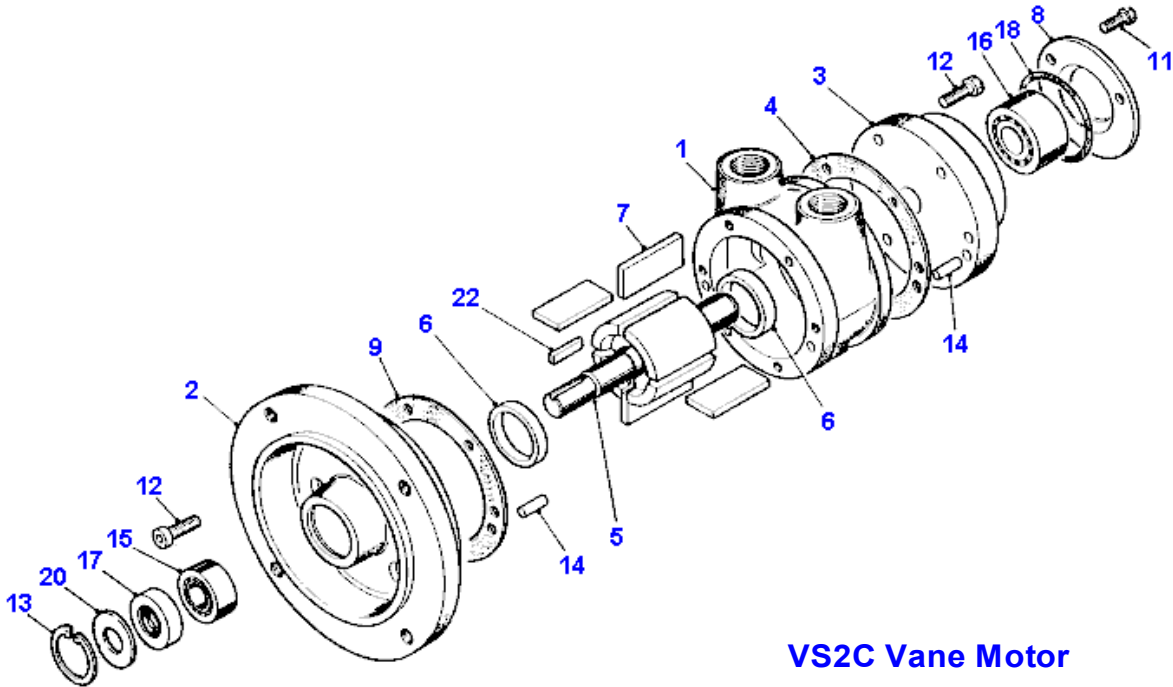


VA2J Vane Motor

If unit is pre 1990 supply consult manufacturer to confirm design

<u>Item</u>	<u>Part No.</u>	<u>Description</u>	<u>Qty</u>	<u>Kit No.</u>
01	720-001	BSP Body	1	
02	740-003	Front Plate	1	
03	740-002	End Plate	1	
04	-	Gasket	2	729-910
04A-1	-	Gasket	1	729-910
04A-2	-	Gasket	1	729-910
04A-3	-	Gasket	1	729-910
05	720-911	Rotor Shaft Assy	1	
06	720-006	Ejection Ring	2	
07	-	Blades	4	729-910
08	740-008	Cover Plate	1	
09	720-023	Foot	1	
10	802-011	Screw	2	
12	809-007	Cap Screw	12	
13	-	Circlip	1	729-910
14	806-024	Dowel	4	
15	807-027	Bearing	1	
16	807-028	Bearing	1	
17	-	Oil Seal	1	729-910
18	-	O Ring	1	729-910
20	806-032	Dowel	2	
	729-910	V2 Seal Kit		
	820-023	Silencer 3/8 NPT	1	

VS2C Motor Spare Parts List



VS2C Vane Motor

If unit is pre 1990 supply consult manufacturer to confirm design

<u>Item</u>	<u>Part No.</u>	<u>Description</u>	<u>Qty</u>	<u>Kit No.</u>
01	720-101	BSP Body	1	
02	740-535	Front Plate D71	1	
03	740-002	End Plate	1	
04	-	Gasket	2	729-910
05	720-920	Rotor Shaft Assy	1	
06	720-006	Ejection Ring	2	
07	-	Blades	4	729-910
08	740-008	Cover Plate	1	
09-1	-	Gasket	1	729-910
09-2	-	Gasket	1	729-910
09-3	-	Gasket	1	729-910
11	802-001	Screw	3	
12	809-007	Cap Screw	12	
13	-	Circlip	1	729-910
14	806-024	Dowel	4	
15	807-025	Bearing	1	
16	807-028	Bearing	1	
17	-	Oil Seal	1	729-910
18	-	O Ring	1	729-910
20	720-100	Seal Bearing Ring	1	
22	811-027	Key	1	
	729-910	V2 Seal Kit		
	820-003	Silencer 3/8 BSP	1	