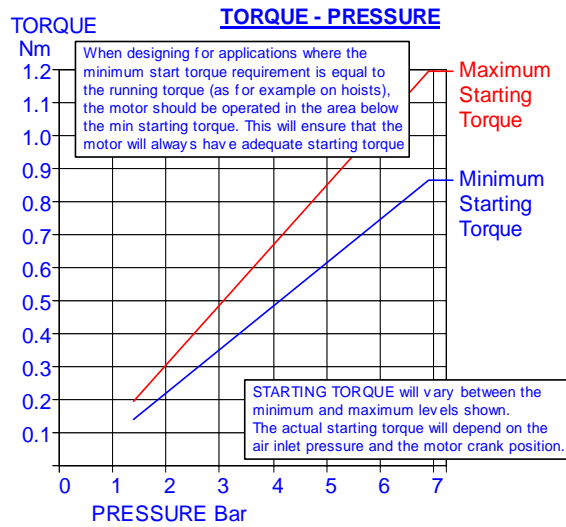
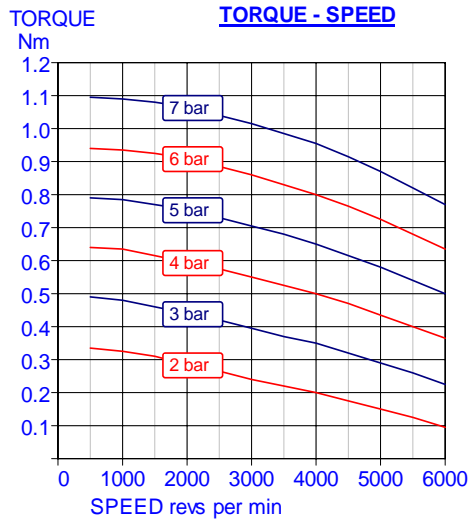




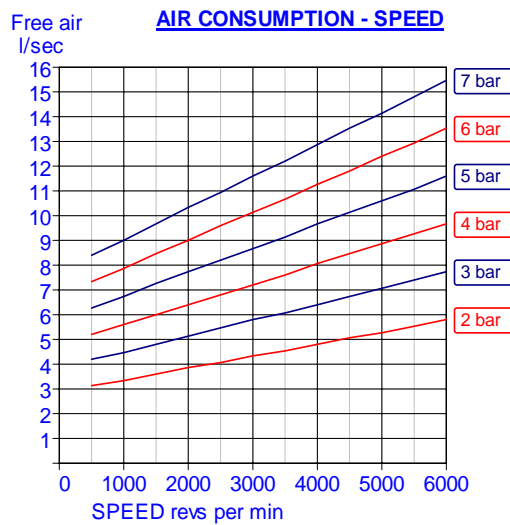
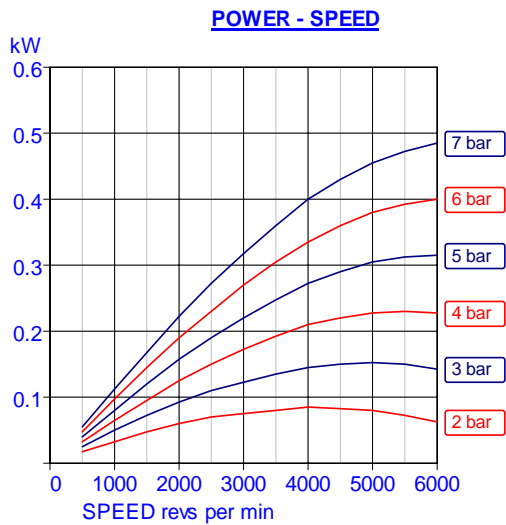
V1 Vane Air Motor

Motor code : VA1XXXX10

Maximum continuous speed 6000 rpm



A pressure regulator should be used to control the air pressure to the motor, to limit the maximum output torque applied to the driven assembly.



Muffler supplied with motor
Motor is reversible

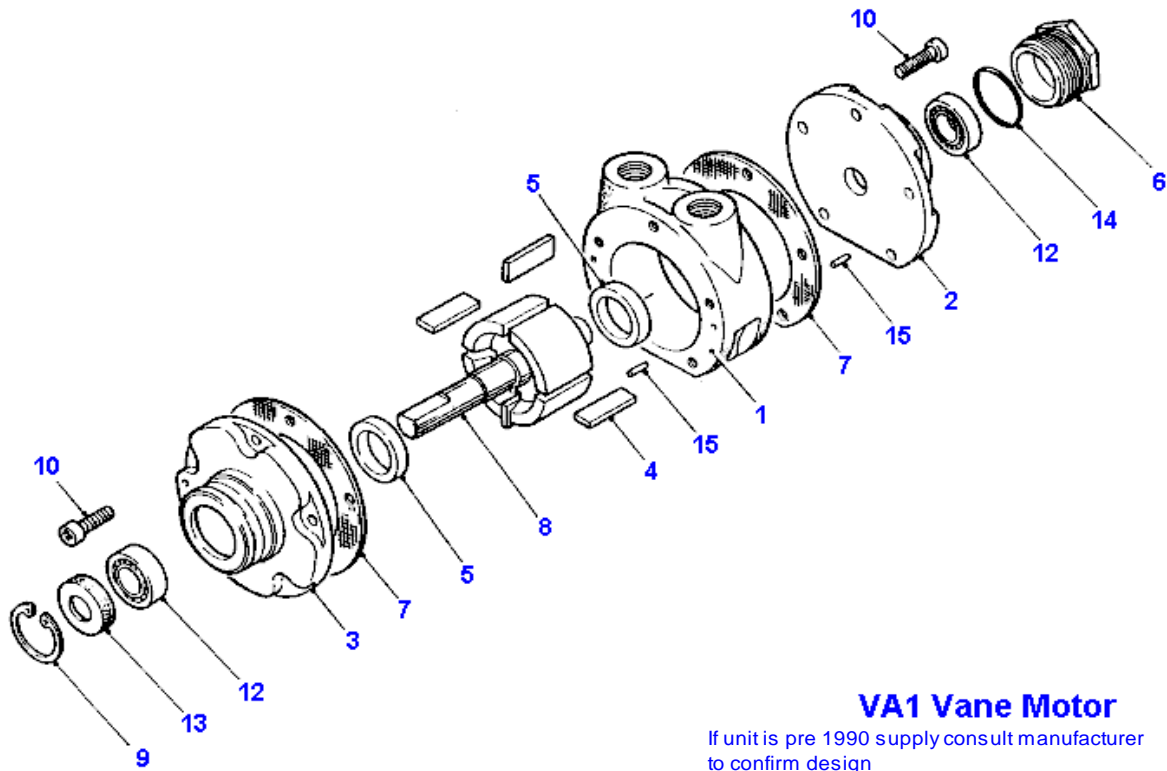
Attitude: The motor can be operated in all positions
Maximum temperature -20°C to +80°C (-4°F to +176°F)

Max. Overhung Force on motor shaft 18 N (4.0 lbf.)
Axial loads should be kept to a minimum

AIRLINE FILTRATION AND LUBRICATION

Use 64 micron filtration or better. Choose a lubricator suitable for the flow required. Prior to initial start-up, inject oil into the inlet port.
Lubricator drop rate 4-5 drops/minute continuous operation
Lubricator drop rate 9-12 drops/minute intermittent operation

VA1 Motor Spare Parts List



VA1 Vane Motor

If unit is pre 1990 supply consult manufacturer to confirm design

Item	Part No.	Description	Qty	Kit No.
01	710-001	Body	1	
02	710-002	End Cover	1	
03	710-003	Front Cover	1	
04	-	Blades	4	719-910
05	710-006	Ejection Ring	2	
06	710-049	End Plug	2	
07-1	-	Gasket	2	719-910
07-2	-	Gasket	2	719-910
07-3	-	Gasket	2	719-910
07-4	-	Gasket	2	719-910
08	710-911	Rotor Shaft Assy.	1	
09	-	Circlip	1	719-910
10	805-050	Pan Hd. Screw	10	
12	807-053	Bearing	2	
13	-	Oil Seal	1	719-910
14	-	O Ring	1	719-910
15	806-009	Dowel	4	
	719-910	V1 Seal Kit		
	820-022	Silencer 1/4 NPT	1	