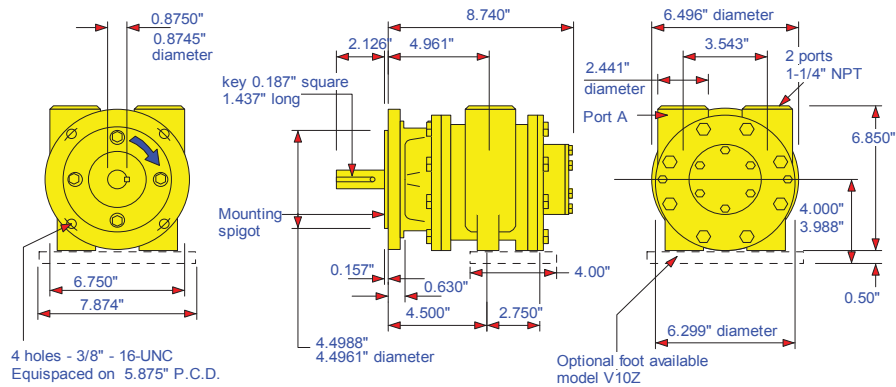


VA10C Vane Air Motor

Motor code : VA10CXXX10

145 TC configuration



Attitude: The motor can be operated in all positions
Maximum temperature -20°C to +80°C (-4°F to +176°F)
Muffler supplied with motor

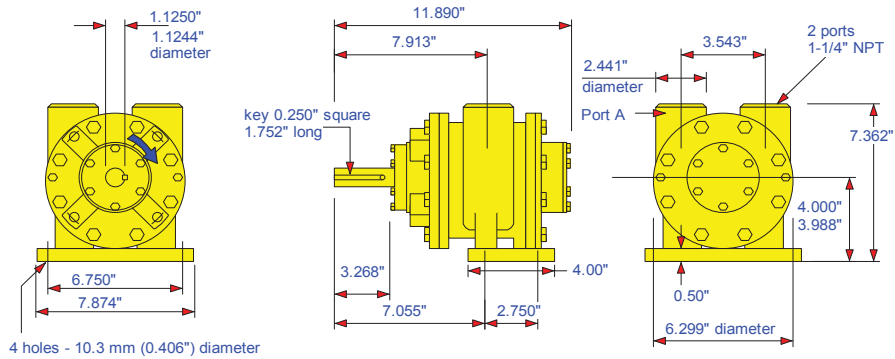
Max. Overhung Force on shaft 1750 N (400 lbf.)
Axial loads should be kept to a minimum
Mass 24.00 kg (52.90 lb.)

**Note: With air inlet at port 'A', shaft rotation is clockwise looking on shaft.
For opposite rotation reverse ports.
Motor is reversible**

VA10J Vane Air Motor

Motor code : VA10JXXX10

Foot mounting configuration



Attitude: The motor can be operated in all positions
Maximum temperature -20°C to +80°C (-4°F to +176°F)
Muffler supplied with motor

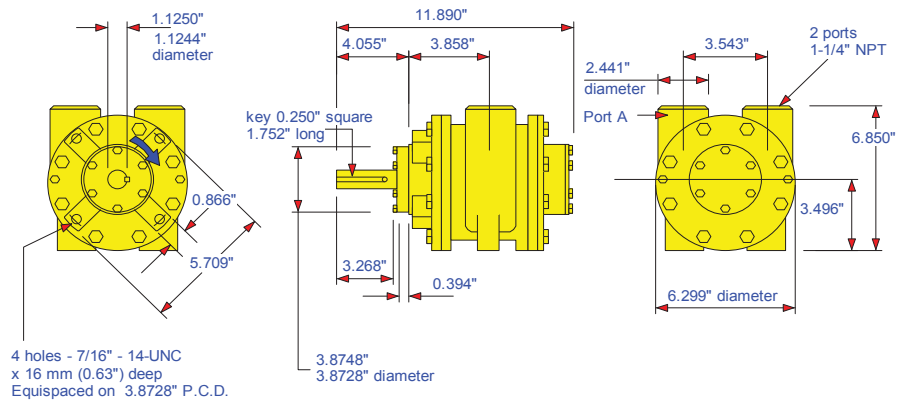
Max. Overhung Force on shaft 1750 N (400 lbf.)
Axial loads should be kept to a minimum
Mass 22.00 kg (48.49 lb.)

**Note: With air inlet at port 'A', shaft rotation is clockwise looking on shaft.
For opposite rotation reverse ports.
Motor is reversible**

VA10X Vane Air Motor

Motor code : VA10XXXX10

Face mounting configuration



Attitude: The motor can be operated in all positions
Maximum temperature -20°C to +80°C (-4°F to +176°F)
Muffler supplied with motor

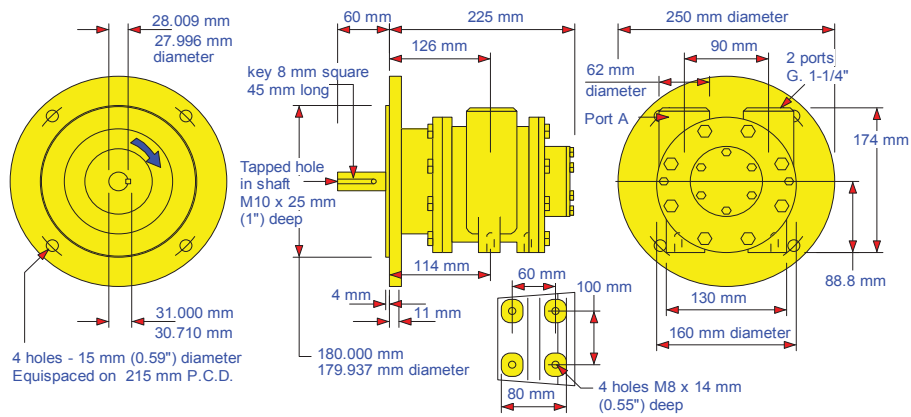
Max. Overhung Force on shaft 1750 N (400 lbf.)
Axial loads should be kept to a minimum
Mass 21.00 kg (46.28 lb.)

**Note: With air inlet at port 'A', shaft rotation is clockwise looking on shaft.
For opposite rotation reverse ports.
Motor is reversible**

VS10C Vane Air Motor

Motor code : VS10CXXX00

D100 configuration



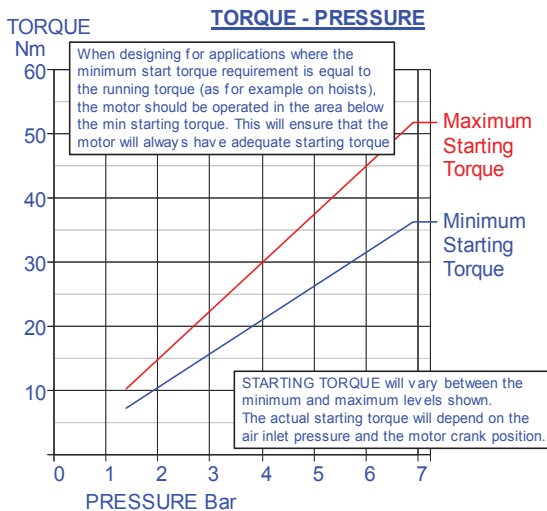
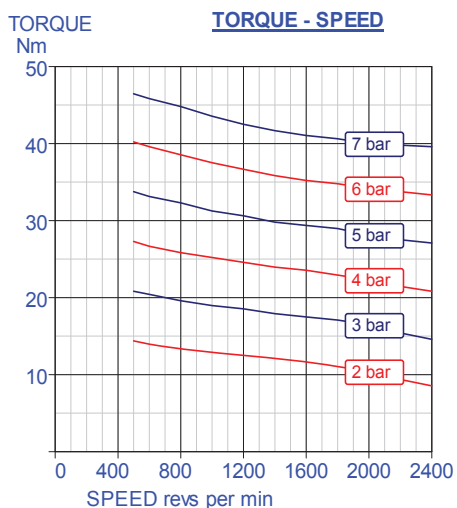
Attitude: The motor can be operated in all positions
Maximum temperature -20°C to +80°C (-4°F to +176°F)
Muffler supplied with motor

Max. Overhung Force on shaft 1750 N (400 lbf.)
Axial loads should be kept to a minimum
Mass 27.00 kg (59.51 lb.)

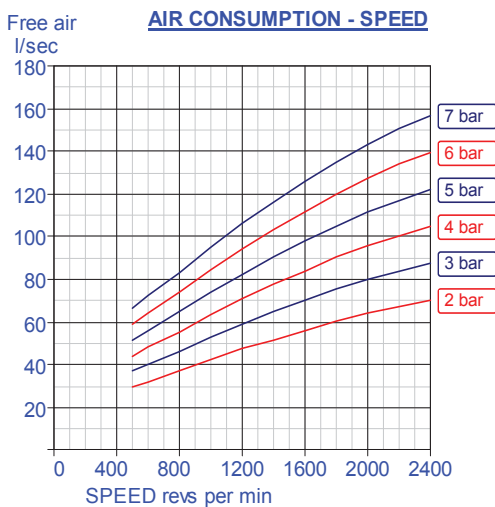
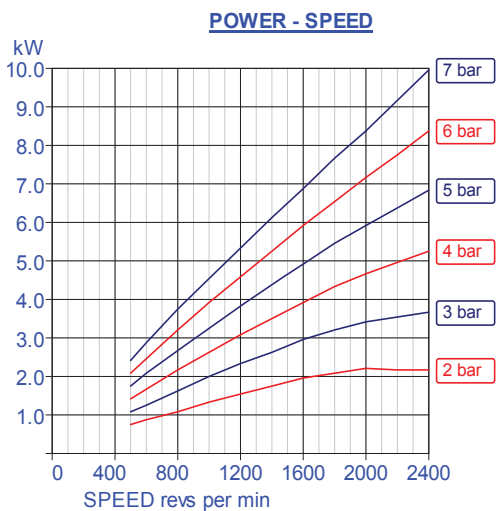
Note: With air inlet at port 'A', shaft rotation is clockwise looking on shaft. For opposite rotation reverse ports. Motor is reversible

V10 Vane Air Motor

Maximum continuous speed 2400 rpm



A pressure regulator should be used to control the air pressure to the motor, to limit the maximum output torque applied to the driven assembly.



Muffler supplied with motor
Motor is reversible

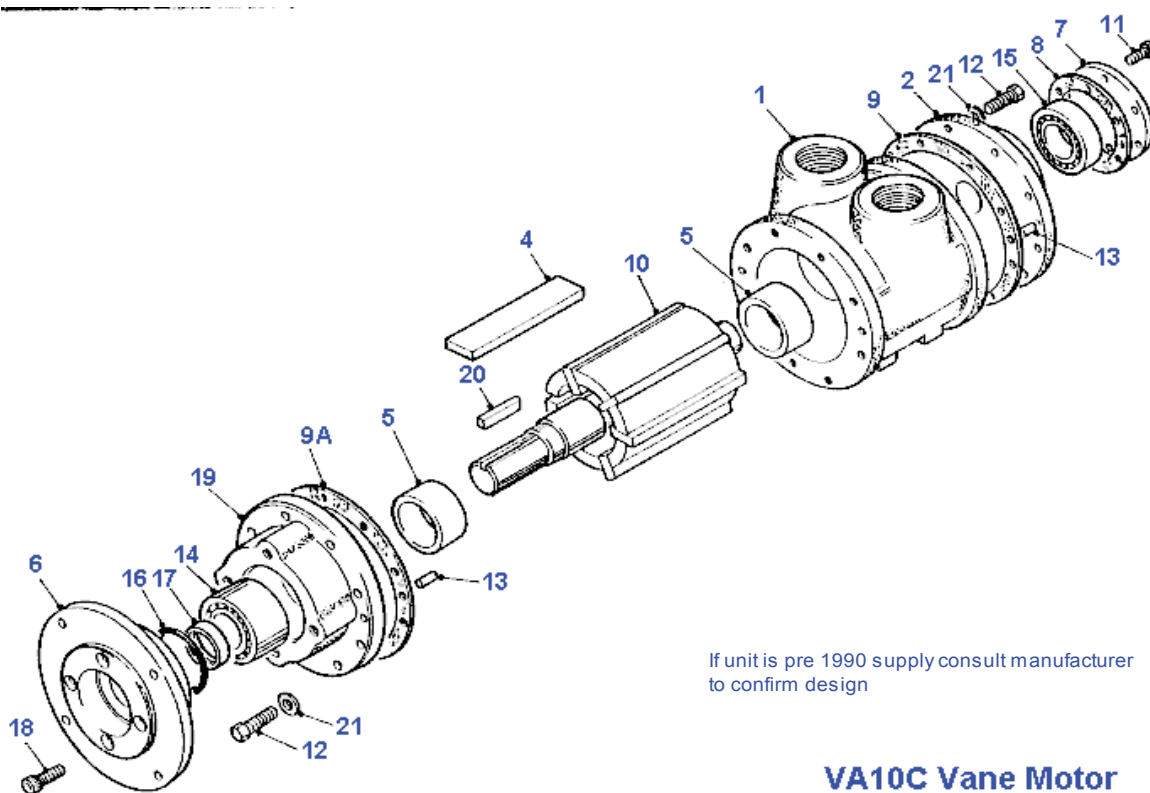
Attitude: The motor can be operated in all positions
Maximum temperature -20°C to +80°C (-4°F to +176°F)

Max. Overhung Force on motor shaft 1750 N (400 lbf.)
Axial loads should be kept to a minimum

AIRLINE FILTRATION AND LUBRICATION

Use 64 micron filtration or better. Choose a lubricator suitable for the flow required. Prior to initial start-up, inject oil into the inlet port.
Lubricator drop rate 8-10 drops/minute continuous operation
Lubricator drop rate 14-16 drops/minute intermittent operation

VA10C Motor Spare Parts List

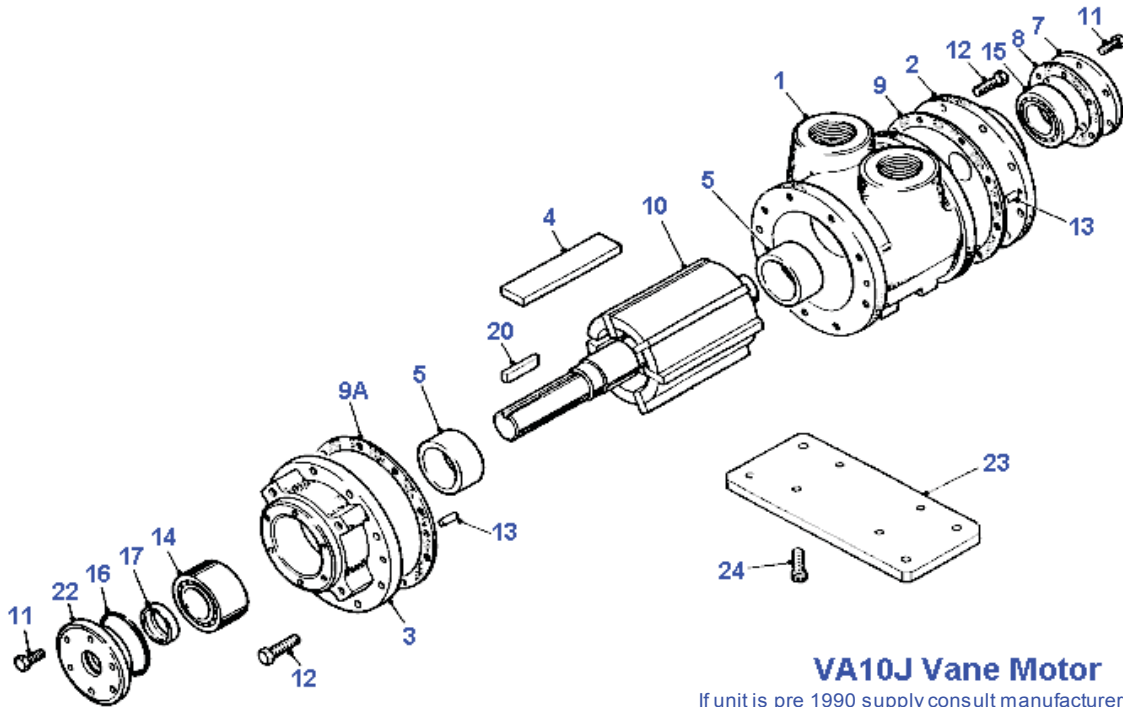


If unit is pre 1990 supply consult manufacturer to confirm design

VA10C Vane Motor

<u>Item</u>	<u>Part No.</u>	<u>Description</u>	<u>Qty</u>	<u>Kit No.</u>
01	790-001	Body NPT	1	
02	790-002	End Plate	1	
04	-	Blades	6	799-910
05	790-006	Ejection Ring	2	
06	790-018	Flange NEMA 145TC	1	
07	790-008	Cover Plate	1	
08	-	Gasket	1	799-910
09	-	Gasket	2	799-910
09A-1	-	Gasket	1	799-910
09A-2	-	Gasket	1	799-910
09A-3	-	Gasket	1	799-910
10	790-910	Rotor & Shaft Assy	1	
11	802-007	Screw	6	
12	802-033	Screw	16	
13	806-018	Dowel	4	
14	807-019	Bearing	1	
15	807-037	Bearing	1	
16	-	O Ring	1	799-910
17	-	Oil Seal	1	799-910
18	809-019	Cap Screw	4	
19	790-026	Front Cover SAE	1	
20	811-020	Key	1	
21	803-019	Washer	16	
	799-910	V10 Seal Kit		
	820-027	Silencer 1-1/4" NPT	1	

VA10J / VA10X Motor Spare Parts List

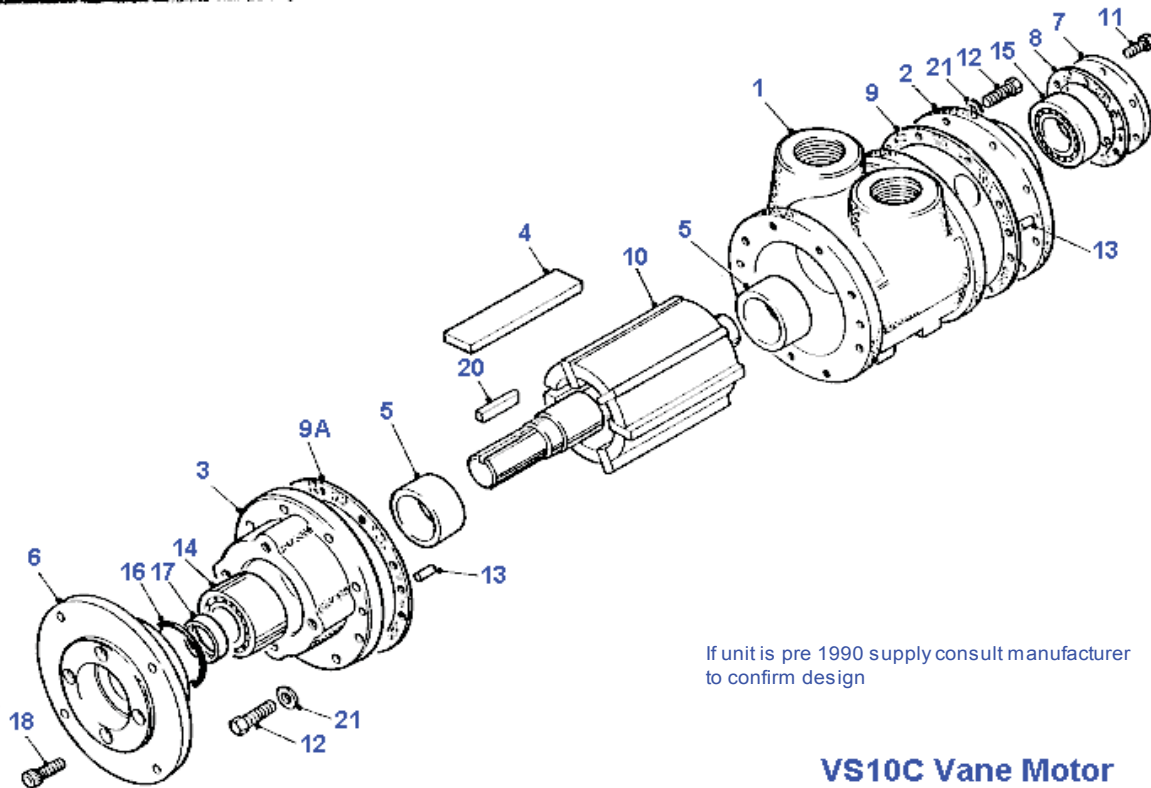


VA10J Vane Motor

If unit is pre 1990 supply consult manufacturer
to confirm design

<u>Item</u>	<u>Part No.</u>	<u>Description</u>	<u>Qty</u>	<u>Kit No.</u>
01	790-001	Body NPT	1	
02	790-002	End Plate	1	
03	790-003	Front Plate	1	
04	-	Blades	6	799-910
05	790-006	Ejection Ring	2	
07	790-008	Cover Plate	1	
08	-	Gasket	1	799-910
09	-	Gasket	2	799-910
09A-1	-	Gasket	2	799-910
09A-2	-	Gasket	2	799-910
09A-3	-	Gasket	2	799-910
10	790-911	Rotor & Shaft Assy	1	
11	802-007	Screw	12	
12	802-033	Screw	16	
13	806-018	Dowel	4	
14	807-037	Bearing	1	
15	807-019	Bearing	1	
16	-	O Ring	1	799-910
17	-	Oil Seal	1	799-910
20	811-024	Key	1	
21	803-019	Washer	16	
22	790-007	Seal Housing	1	
23	790-015	Base Plate	1	
24	809-008	Capscrew	4	
	799-910	V10 Seal Kit		
	820-027	Silencer 1-1/4" NPT	1	

VS10C Motor Spare Parts List



If unit is pre 1990 supply consult manufacturer to confirm design

VS10C Vane Motor

<u>Item</u>	<u>Part No.</u>	<u>Description</u>	<u>Qty</u>	<u>Kit No.</u>
01	790-101	Body BSP	1	
02	790-002	End Plate	1	
03	790-026	Front Cover SAE	1	
04	-	Blades	6	799-910
05	790-006	Ejection Ring	2	
06	790-037	Flange D100	1	
07	790-008	Cover Plate	1	
08	-	Gasket	1	799-910
09	-	Gasket	2	799-910
09A-1	-	Gasket	1	799-910
09A-2	-	Gasket	1	799-910
09A-3	-	Gasket	1	799-910
10	790-923	Rotor & Shaft Assy	1	
11	802-007	Screw	6	
12	802-033	Screw	16	
13	806-018	Dowel	4	
14	807-037	Bearing	1	
15	807-019	Bearing	1	
16	-	O Ring	1	799-910
17	-	Oil Seal	1	799-910
18	809-019	Cap Screw	1	
20	811-033	Key	1	
21	803-019	Washer	1	
	799-910	V10 Seal Kit		
	820-007	Silencer 1-1/4" BSP	1	