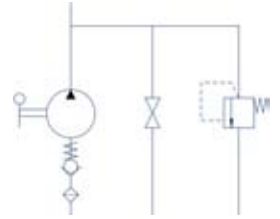
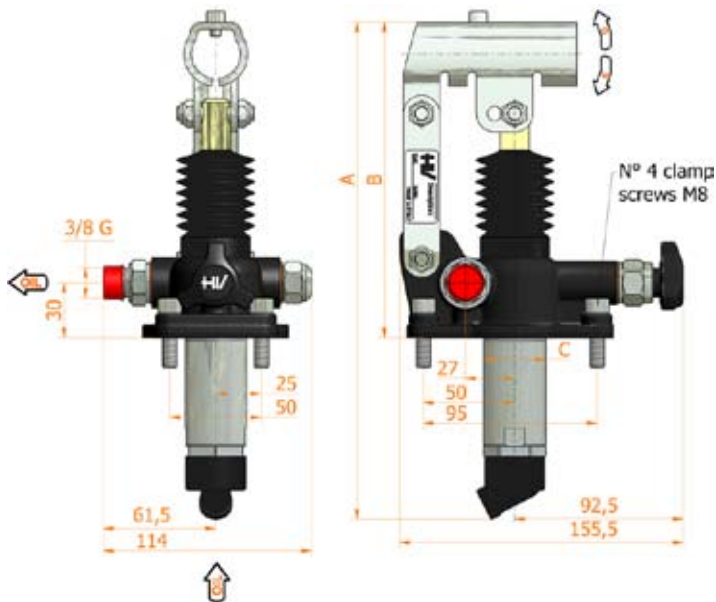
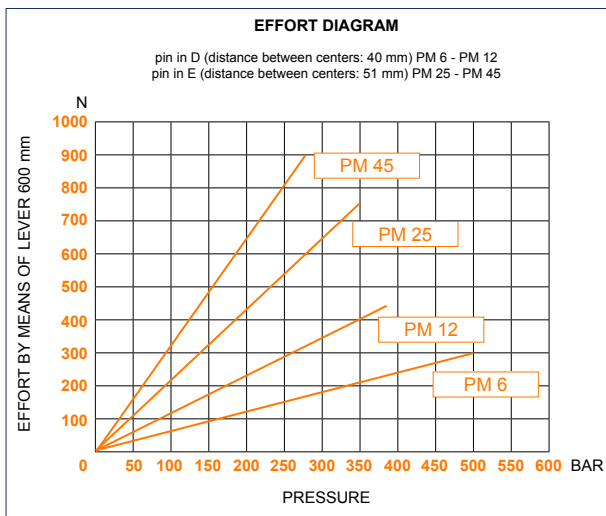


PM 6-12-25-45 byB-s

with release hand knob
with pressure relief valve



double acting hand pump for single acting cylinder
for fixing to tank



Specifications:

- Piston treated with Niploy
- Lever connection Ø 27
- Standard colour **black**
- Mounting kit and seals **included**
- Pressure relief valve standard setting: **100 bar**

| DISPLACEMENT cm ³ | A mm | B mm | C mm | D ° | E ° | ACTUAL DISPLACEMENT cm ³ | PRESSURE BAR | | MASS KG | CODE WITHOUT BELLOWS | CODE WITH BELLOWS | L |
|---------------------------------|---------|---------|---------|--------|--------|---|--------------|-----|------------|----------------------------|-------------------------|---|
| | | | | | | | WORK P. | MAX | | | | |
| 6 | 253 | 166 | 34 | 26 | 31 | 6,970 | 450 | 500 | 2,900 | 6049.0109 | 6049.0117 | |
| 12 | 253 | 166 | 34 | 26 | 31 | 12,095 | 320 | 380 | 2,900 | 6050.0109 | 6050.0117 | |
| 25 | 273 | 172 | 34 | 30 | 30 | 25,280 | 280 | 350 | 2,950 | 6051.0109 | 6051.0117 | |
| 45 | 283 | 172 | 40 | 45 | 33 | 44,532 | 220 | 280 | 3,000 | 6052.0109 | 6052.0117 | |
| | | | | | | | | | | | | |