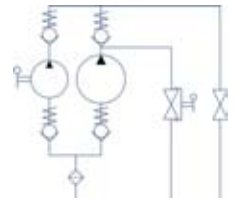
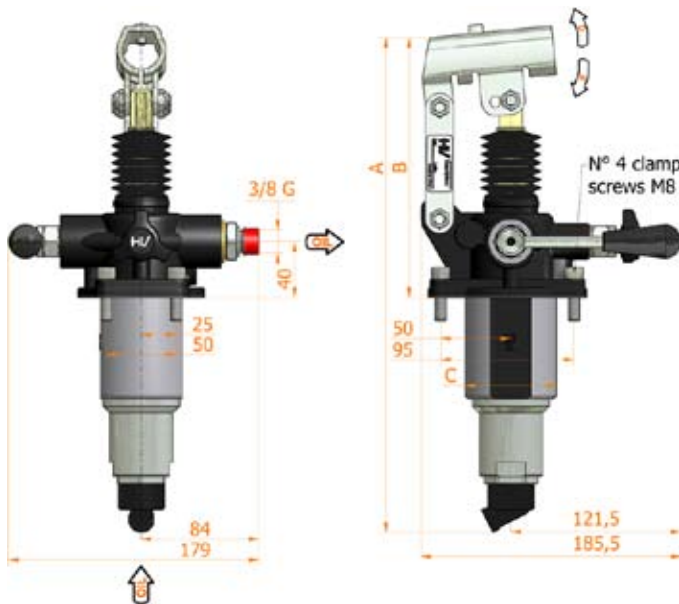
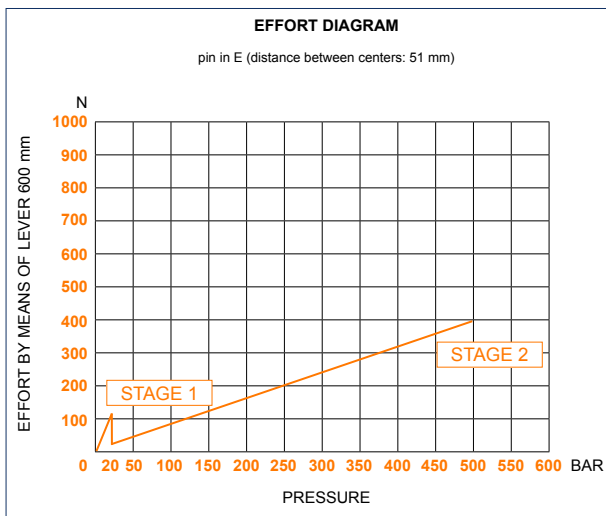


PM2V 5-80 Lm-s

with release hand knob
with exclusion lever for the 1st speed



hand pump two speed for a single acting cylinder
for fixing to tank



Specifications:

- Piston treated with Niploy
- Lever connection Ø 27
- Standard colour **black**
- Mounting kit and seals **included**

DISPLACEMENT cm ³	A mm	B mm	C mm	D °	E °	DISPLACEMENT cm ³		PRESSURE BAR		MASS KG	CODE WITHOUT BELLOWS	CODE WITH BELLOWS	L
						STAGE 1	STAGE 2	STAGE 1	STAGE 2				
5-80	354	185	65	30	32	80,588	5,036	20	500	6,200	6071.0100	6071.0127	