

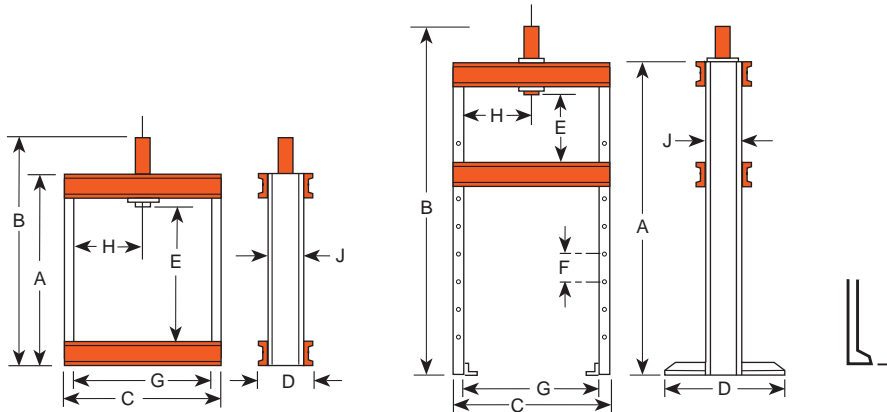
Shop Press H FRAME

10 Tons Bench/Floor Press



- Ideal for small pressing jobs; repairing small motors, armatures, removing and installing gears, bearings, other press-fit parts.
- Bench press has 391 x 457 mm work area; floor press bed height is adjustable from 127 mm to 1.041 mm with horizontal "daylight" of 553 mm.
- Choices of power sources: single-speed hand pump, electric/hydraulic or air/hydraulic.
- Hydraulic gauges, hoses and fittings included.
- Pump electrical specification PE10 series - 0.19kW 220/230V 50/60Hz, Single Phase.

SHOP EQUIPMENT



DIMENSIONS

	A	B	C	D	E	F	G	H	J	K	L	Bench Space	Floor Space
Frame	(mm)	(mm)	(mm)	(mm)	(mm)	(mm)	(mm)	(mm)	(mm)	(mm)	(mm)	(mm)	(mm)
Bench	622	841	641	182	391	—	559	279	102	40	102	182 x 641	—
Floor	1.499	1.718	641	711	127-1.041	152	559	63,5-470*	102	40	102	—	711 x 730

*Lateral head movement

ORDERING INFORMATION

Frame	Cap. (tons)	Type of Cyl. Used	Stroke	Cylinder Model	Order No.	Speed (mm./min.)†††	Type Pump	Pump Model †	Prod. Wt. (kg)
222481 Bench	10	Single-Acting	257	C1010C	SPM1010	1,5 mm/stroke	Hand	P55	41,2
222480 Floor	10	Single-Acting	257	C1010C	SPH1010	1,5 mm/stroke	Hand	P55	77,5
222480 Floor	10	Single-Acting	257	C1010C	SPE1010-220	55,7 5,1	Elec. ††	PE102-220	79,3
222480 Floor	10	Single-Acting	257	C1010C	SP1010A	93,7 7,6	Air	PA9H	78,1
222480 Floor	10	Double-Acting	254	RD1010	SPE1010D-220	55,7 5,1	Elec. ††	PE104-220	87,0

† Optional air/hydraulic pumps available on request.

†† "Advance" position holds pressure with motor shut off. "Return" position advances cylinder with motor running and returns cylinder with motor shut off.

††† Typical performance based on 7 bar and 700 bar pump specifications. Actual speeds may vary with operating conditions.

Available with 110/115V, 50/60Hz, Single Phase motor:-

• **SPE 1010** (Single-Acting) comes with PE102 Pump.

• **SPE 1010D** (Double-Acting) comes with PE104 Pump.

Optional: **PE17** series 2-speed pump with 0.37 kW motor.

Press H FRAME

Open Throat & Economy Press 25 Ton Presses

SHOP EQUIPMENT

OPEN THROAT PRESSES

- Design permits use as both "H" frame and "C" frame press; cylinder can be mounted on frame extension to handle jobs which won't fit between uprights.
- Open throat press models are also available with remote control to enable the operator to view work from all sides with fingertip control of cylinder piston travel.
- Off-center pressing loads of full capacity can be applied across entire width of frame.

ECONOMY PRESSES

- Rugged, yet reasonably priced. Handles many "big press" tasks, and perfect for many of the "in-between" jobs you see almost daily.

Note: stroke length limited to 159 mm on economy models.

FEATURES OF BOTH OPEN THROAT AND ECONOMY PRESSES

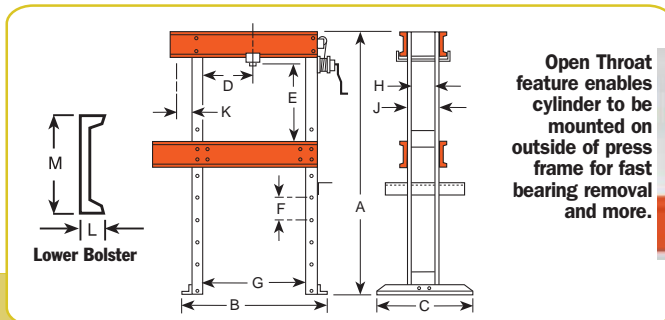
- Press bed height easily adjustable with winch. Bed will not drop when handle is released.
- Choice of power sources for rapid cylinder advance: two-speed hydraulic hand pump, electric/hydraulic or air/hydraulic.

PUMP ELECTRICAL SPECIFICATIONS

PE17 Series – 0,37 KW, 115 volt, 60 cycle or 220 volt, 50 cycle, single phase.



Hydraulic gauge and hydraulic fittings are included with presses.



Open Throat feature enables cylinder to be mounted on outside of press frame for fast bearing removal and more.

DIMENSIONS

A (mm)	B (mm)	C (mm)	D* (mm)	E (mm)	F (mm)	G (mm)	H (mm)	J (mm)	K (mm)	L (mm)	M (mm)	Floor Space (mm)
1.727	1.092	711	76-737	175-1.102	114	813	140	165	178	64	203	1.092 x 711

*Lateral head movement

ORDERING INFORMATION

Cap. (tons)	Type of Cylinder Used	Stroke (mm)	Cylinder Model	Order No.	Speed (mm/min.) Advance	Pressing	Type Pump	Valve Type	Pump‡ Model	Prod.Wt. (kg)
"Open Throat" presses										
25	Single-Acting	362	C2514C	SPA2514	249	30	Air	2-Way Foot	PA6	309
25	Single-Acting	362	C2514C	SPM2514	12,4 mm/stroke	0,8 mm/stroke	Hand	Load - Release	P159	314
25	Single-Acting	362	C2514C	SPE2514-220	1.184	84	Elec.	2-Way††	PE172-50-220	301
25	Single-Acting	362	C2514C	SPE2514S-220	1.321	102	Elec.	3-Way†	PE213S-50-220	344
25	Double-Acting	362	RD2514	SPE2514DS-220	1.321	102	Elec.	4-Way†	PE214S-50-220	357
"Economy" presses										
25	Single-Acting	159	C256C	SPA256	249	30	Air	2-Way Foot	PA6	197
25	Single-Acting	159	C256C	SPM256	3,0 mm/stroke	0,8 mm/stroke	Hand	Load - Release	P59	205
25	Single-Acting	159	C256C	SPE256-220	1.184	84	Elec.	2-Way††	PE172-50-220	210

† Solenoid valve with 12 volt remote control hand switch.

†† Holds pressure with motor shut off. Also has an automatic dump setting. Furnished with a 3.1m remote motor control.

††† Typical performance based on 7 bar and 700 bar pump specifications. Actual speeds may vary under operating conditions.

‡ Pump standard with press. Other Power Team pumps can be substituted.

dBA at idle and 700 bar: PE172-67/81 dBA; PE 21-70 dBA measured at 0,9 m distance, all sides.

Available with 115 Volt, 60Hz motor (to order, remove suffix "-220" from SPE no.)

- Full off-center pressing at full rated capacity across width of upper frame without buckling or bending.
- Maximum "daylight" is 1.067 x 914 mm, making positioning of even bulky work pieces easy.
- Height of press bed is easily adjusted with winch; friction brake prevents bed from dropping and handle from spinning upon release.
- Presses with single-acting cylinder offer choice of 2-speed hand operated, electric/hydraulic, or air/hydraulic pump. Models with double-acting cylinder have an electric/hydraulic pump.
- Press models equipped with remote control enable operator to view work from all sides with fingertip control of cylinder piston travel.
- Press can be used horizontally for special applications with user-supplied support legs.
- Pump electrical specifications
PE 17 series - 0.37KW
PE 21 series - 0.75KW
PQ 60 series - 1.49KW
All available in 115V/60Hz or 220V/50Hz
Single phase

Press H FRAME

55 Ton Presses



SHOP EQUIPMENT

DIMENSIONS

A (mm)	B (mm)	C (mm)	D* (mm)	E (mm)	F (mm)	G (mm)	H (mm)	J (mm)	L (mm)	M (mm)	Floor Space (mm)
1.829	1.232	914	83-832	152-1.067	152	914	171	203	76	305	1.232 x 914

*Lateral head movement

ORDERING INFORMATION

Cap. (tons)†	Type of Cylinder Used	Stroke (mm)	Cylinder Model	Order No.	Speed (mm/min.)††† Advance Pressing	Type Pump	Valve Type	Pump‡ Model	Prod.Wt. (kg)	
55	Single-Acting	159	C556C	SPA556	114	12,7	Air	2-Way Foot	PA6	318
55	Single-Acting	159	C556C	SPM556	5,8 mm/ stroke	0,4 mm/ stroke	Hand	Load- Release	P159	323
55	Single-Acting	337	C5513C	SPM5513	18,9 mm/ stroke	0,7 mm/ stroke	Hand	2-Way	P460	435
55	Single-Acting	159	C556C	SPE556-220	551	38	Elec.	2-Way††	PE172-50-220	333
55	Single-Acting	337	C5513C	SPE5513-220	551	38	Elec.	2-Way††	PE172-50-220	444
55	Single-Acting	337	C5513C	SPE5513S-220	620	48	Elec.	3-Way†	PE213S-50-220	478
55	Double-Acting	333	RD5513	SPE5513D-220	551	38	Elec.	4-Way	PE174-50-220	450
55	Double-Acting	333	RD5513	SPE5513DS-220	1.679	137	Elec.	4-Way†	PQ604S-50-220	505

* Frame is shipped assembled.

† Solenoid valve with 24 volt remote control hand switch.

†† Holds pressure with motor shut off. Also has an automatic dump setting. Furnished with a 3,1 m remote motor control.

††† Typical performance based on 7 bar and 700 bar pump specifications. Actual speeds may vary with operating conditions.

‡ Pump standard with press. Other Power Team pumps can be substituted. dBA at idle and 700 bar: PE172—67/81; PE21-70; PQ 60-74/76; measured at 0,9 m distance, all sides.

Available with 115 Volt, 60Hz motor (to order, remove suffix "-220" from SPE no.)

H Frame Presses

100, 150 & 200 Ton Presses

SHOP EQUIPMENT



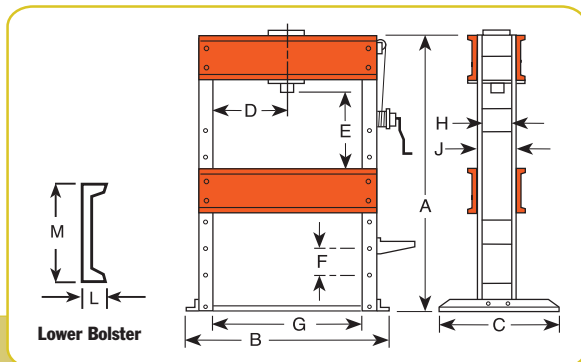
- Cylinder workhead glides across upper frame on rollers, locks in place for off-center pressing jobs. May be used horizontally for special pressing applications with user-supplied supports.
- Press bed is raised and lowered by winch which locks in place for insertion of bed retaining pins. Upper bolster can be lowered for convenient positioning on repetitive jobs.
- Generous "daylight" accommodates bulky work pieces, uprights are placed for easy side entry of bars or shafts for straightening or bending.
- Choice of single- or double-acting cylinder. Hydraulic pump options include: 2-speed hand pump with large 7,6 l reservoir, PE172 electric/hydraulic pump or "PQ" series "Quiet" electric/hydraulic pump with low noise level.

PUMP ELECTRICAL SPECIFICATIONS

PE17 Series – 0,37 KW, 220 volt, 50 cycle, single phase. Also available in 115 volt, 60 cycle, remove suffix "-220" from order no.

PQ60 Series – 1.49 KW, 220 volt, 50 cycle, single phase. Also available in 115 volt, 60 cycle, remove suffix "-220" from order no.

PQ120 Series – 2,24 KW, 380V, 50 Hz, three phase. (Suitable for 415V/50Hz/3 Phase) Also available in 460V/60Hz/3 phase, remove suffix "-380" from order no. (Suitable for 440V/50Hz/3 Phase)



DIMENSIONS

Cap	A (mm)	B (mm)	C (mm)	D* (mm)	E (mm)	F (mm)	G (mm)	H (mm)	J (mm)	L (mm)	M (mm)	Floor Space (mm)
100T:	1.962	1.626	914	178-1.092	51-1.067	203	1.270	203	254	86	381	914 x 1.988
200T:	2.286	1.803	1.118	279-991	228-1.111	279	1.270	318	381	105	457	1.117 x 1.803

*Lateral head movement

ORDERING INFORMATION

Cap. (tons)†	Type of Cyl. Used	Stroke (mm)	Cylinder Model	Order No.	Speed (mm/min.)††	Type Pump	Valve Type	Pump‡ Model	Prod. Wt. (kg)
100	Single-Acting	260	C10010C	SPM10010	9,0 mm/ stroke, 0,3 mm/ stroke	Hand	3-way	P460	769
100	Single-Acting	260	C10010C	SPE10010-220	889	74	Elec.	PQ603-50-220	813
100	Single-Acting	260	C10010C	SPE10010R-220	292	20	Elec.	PE172-50-220	766
100	Double-Acting	333	RD10013	SPE10013DS-380	889	147	Elec.	PQ1204S-50-380	854
150	Double-Acting	333	RD15013	SPE15013DS-380	610	99	Elec.	PQ1204S-50-380	1.366
200	Double-Acting	333	RD20013	SPE20013DS-380	457	74	Elec.	PQ1204S-50-380	1.484

† Frame is shipped assembled. ** Solenoid valve with 24 volt remote control hand switch.

†† Typical performance based on 7 bar and 700 bar pump specifications. Actual speeds may vary under operating conditions.

‡ Pump standard with press. Other Power Team pumps can be substituted.

dBA at idle and 700 bar: PE172—67/81; PQ60—74/76; PQ120—73/78. Measured at 0,9 m distance, all sides.