

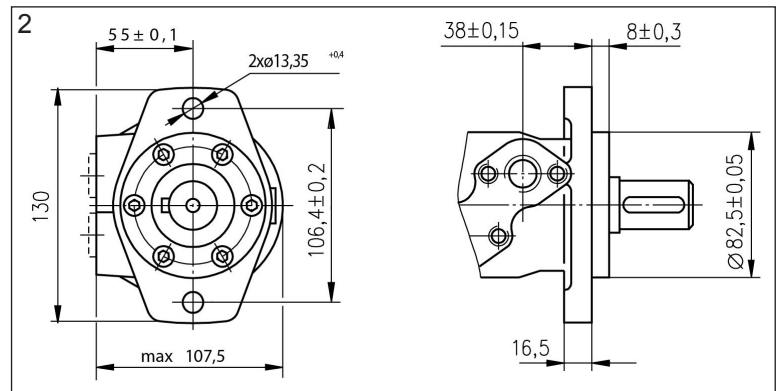
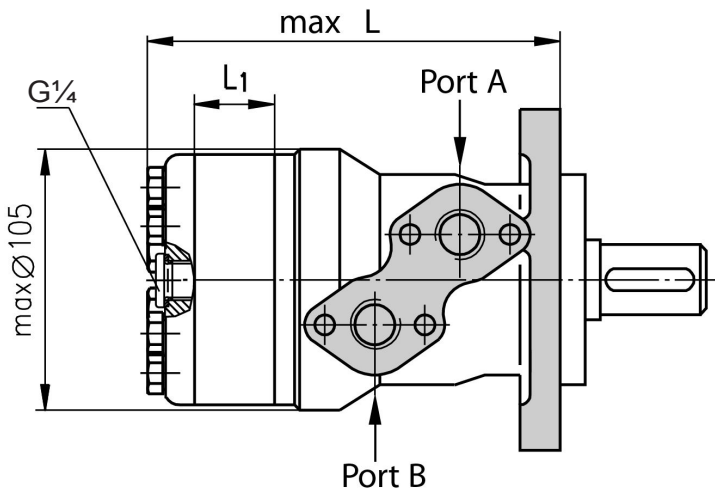
GEROLOR HYDRAULIC MOTORS

Other shaft, flange & port options available - Contact PT Hydraulics Australia



Shaft	Mount
1"	2 Bolt SAE A

PART NO.	CC	Max Speed		Pressure (Bar)			Max Torque			Max Op kW		Max Flow		Weight (kg)	
		Cont	Int	Cont	Int	Peak	Cont	Int	Peak	Cont	Int	Cont	Int		
BMR-50-2CD	51.3	960	1150	140	175	225	100	126	155	9.5	11.2	50	60	6.7	
BMR-80-2CD	80.6	750	940	175	200		195	220	270	12.5	15	60	75	6.9	
BMR-100-2CD	100.8	600	750				240	280	320	13	15			7	
BMR-125-2CD	124.9	475	600	300	340		370	12.5	14.5	7.3					
BMR-160-2CD	157.2	378	475	165	360		430	460	12.5	14	7.6				
BMR-200-2CD	199.2	310	385	130	175		360	440	560	10	13			8	
BMR-250-2CD	252	240	300	110	150		200	390	490	640	7			9.5	8.5
BMR-315-2CD	314.5	190	240	90	130		175	390	535	650	6			9	9
BMR-400-2CD	370	155	190	70	100	150	365	495	680	5	8			9.5	



Measurements in mm [inch]

MODEL NO.	L (mm)	L ₁ (mm)
BMR50	140	10
BMR80	146	16
BMR100	150	20
BMR125	155	25
BMR160	161.5	31.5
BMR200	170	40
BMR250	180	50
BMR315	192	62
BMR400	204	74

