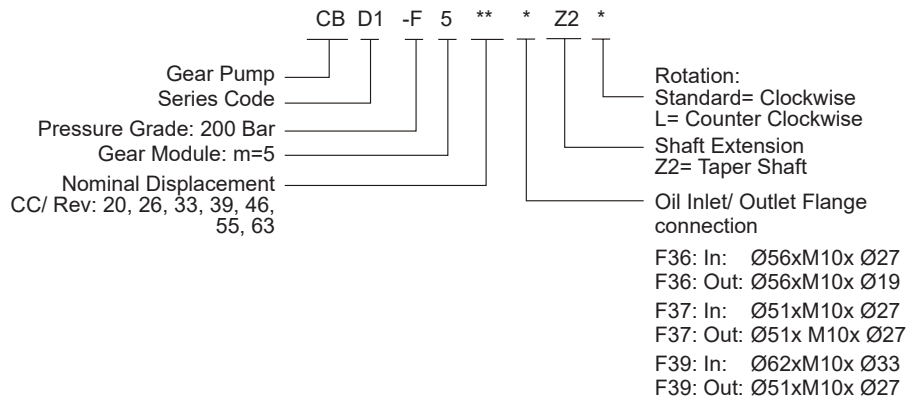


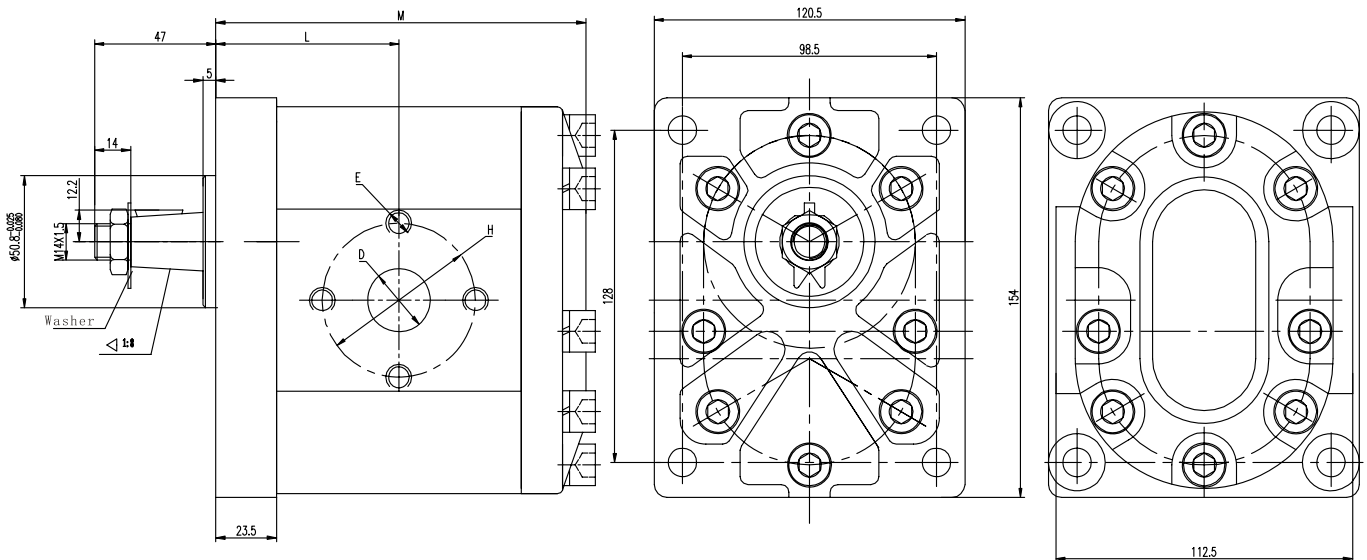
**GROUP 3 GEAR PUMPS EUROPEAN STANDARD**  
 DIN Mount 1:8 Tapered Shaft, BSPP Ports



**HYDRAULIC**



**DIMENSIONS**



MODEL	CC/ Rev	PRESSURE (Bar)		MAX SPEED (r/min)	L (mm)	M (mm)	Inlet (mm)		Outlet (mm)		E
		Rated	Max.				D	H	D	H	
CBD1-F520F36Z2	20	200	250	3000	58.75	119	27	56	19	56	M10
CBD1-F520F36Z2L	20	200	250	3000	58.75	119	27	56	19	56	M10
CBD1-F526F36Z2	26	200	250	3000	61	123.5	27	56	19	56	M10
CBD1-F533F36Z2	33	200	250	3000	63.5	128.5	27	56	19	56	M10
CBD1-F539F36Z2	39	200	250	3000	65.5	132.5	27	56	19	56	M10
CBD1-F546F37Z2	46	200	250	3000	68.25	138	27	51	27	51	M10
CBD1-F555F39Z2	55	200	250	3000	70.25	143	33	62	27	51	M10
CBD1-F563F39Z2	63	200	250	3000	74	149.5	33	62	27	51	M10



[www.pthydraulics.com.au](http://www.pthydraulics.com.au)

e: sales@pthydraulics.com.au

ph: (03) 9562 8800

f: (03) 9562 8080

a: 19 Ricketts Rd Mount Waverley, VIC, 3149