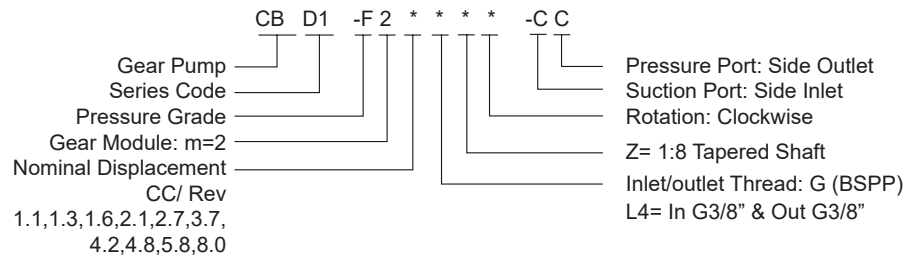
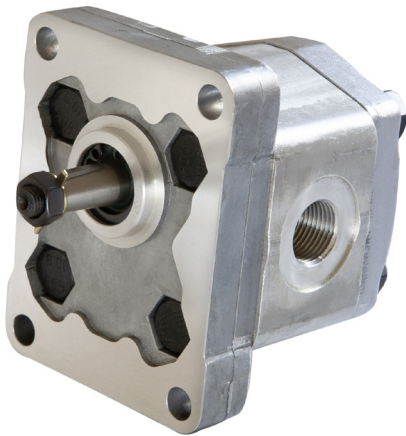


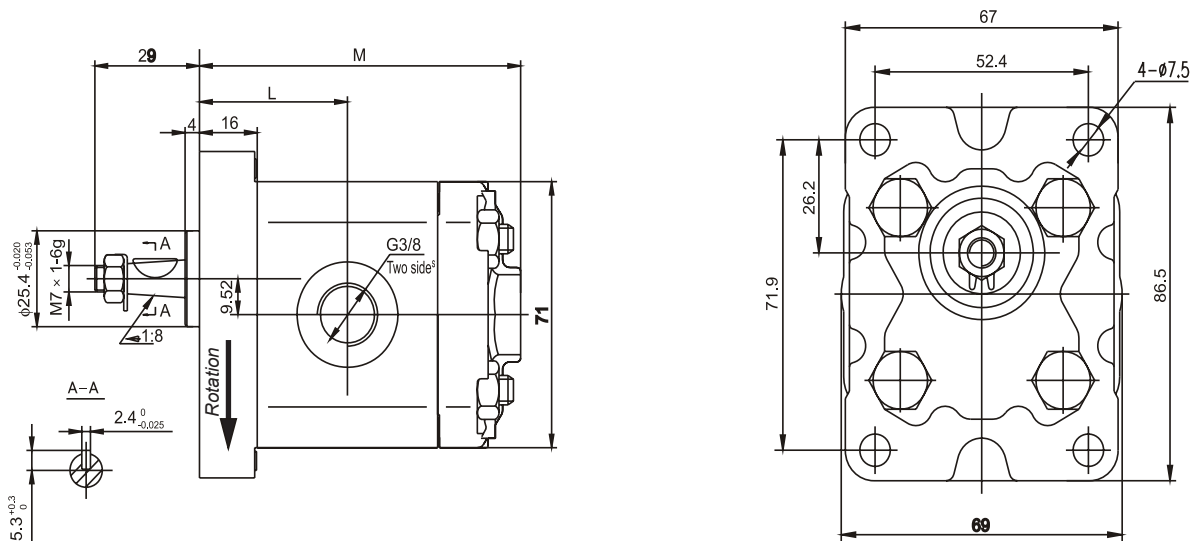
**GROUP 1 GEAR PUMPS EUROPEAN STANDARD**  
 DIN Mount 1:8 Tapered Shaft, Clockwise Rotation, BSPP Ports



**HYDRAULIC**



**DIMENSIONS**



MODEL	CC/ Rev	PRESSURE (Bar)		SPEED (r/min)			A (mm)	Inlet	Outlet
		Rated	Max.	Rated	Max	Min			
CBD1-F201.1L4Z-CC	1.1	200	250	2000	6000	600	75	3/8"	3/8"
CBD1-F201.3L4Z-CC	1.3	200	250	2000	6000	600	76	3/8"	3/8"
CBD1-F201.6L4Z-CC	1.6	200	250	2000	6000	600	77	3/8"	3/8"
CBD1-F202.1L4Z-CC	2.1	200	250	2000	6000	600	79	3/8"	3/8"
CBD1-F202.7L4Z-CC	2.7	200	250	2000	6000	600	81	3/8"	3/8"
CBD1-F203.2L4Z-CC	3.2	200	250	2000	5000	600	83	3/8"	3/8"
CBD1-F203.7L4Z-CC	3.7	200	250	2000	4500	600	85	3/8"	3/8"
CBD1-F204.2L4Z-CC	4.2	200	250	2000	4000	600	87	3/8"	3/8"
CBD1-F204.8L4Z-CC	4.8	160	200	2000	3500	600	89	3/8"	3/8"
CBD1-F205.8L4Z-CC	5.8	160	200	2000	2900	600	93	3/8"	3/8"
CBD1-F208.0L4Z-CC	8.0	160	200	2000	2100	600	101	3/8"	3/8"



[www.pthydraulics.com.au](http://www.pthydraulics.com.au)

e: sales@pthydraulics.com.au

ph: (03) 9562 8800

f: (03) 9562 8080

a: 19 Ricketts Rd Mount Waverley, VIC, 3149