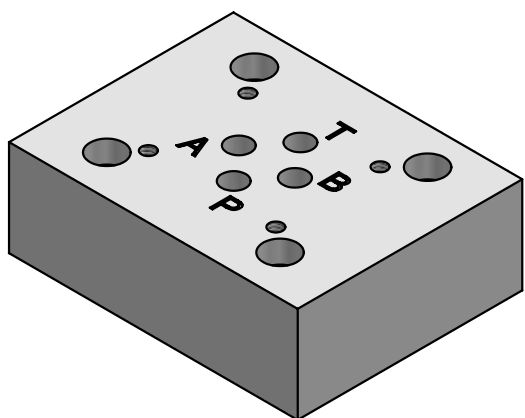
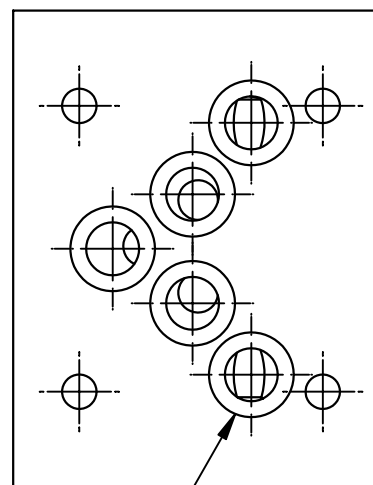
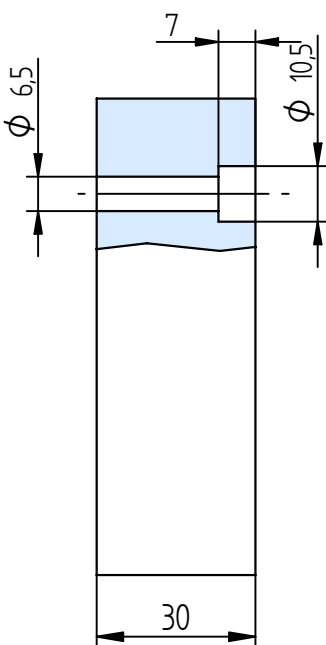
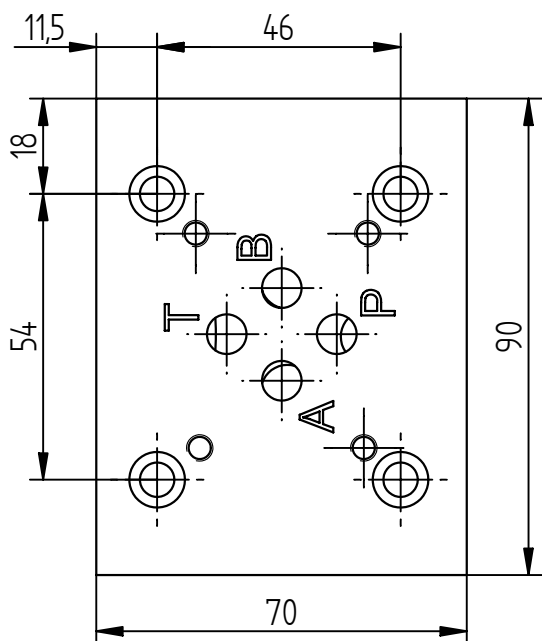
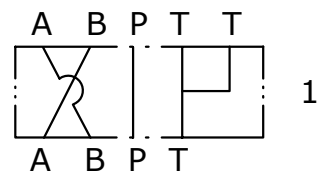
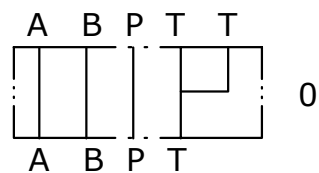


**ELEMENTO DI RIDUZIONE CETOP 5 - 3**  
**REDUCTION PLATE CETOP 5 - 3**



Schema idraulico  
 Hydraulic diagram



N°5 OR-2050

**ES 610-05-0**

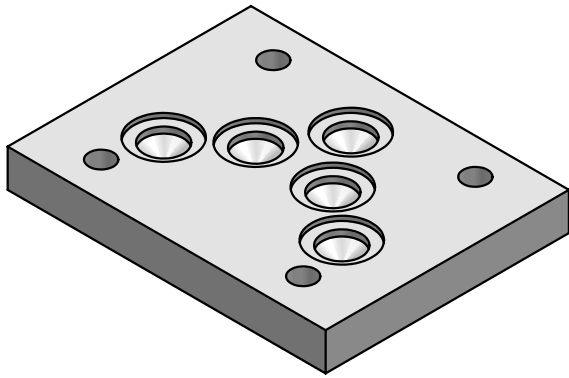
S=STEEL  
 A=ALUMINIUM

SEE DIAGRAMS

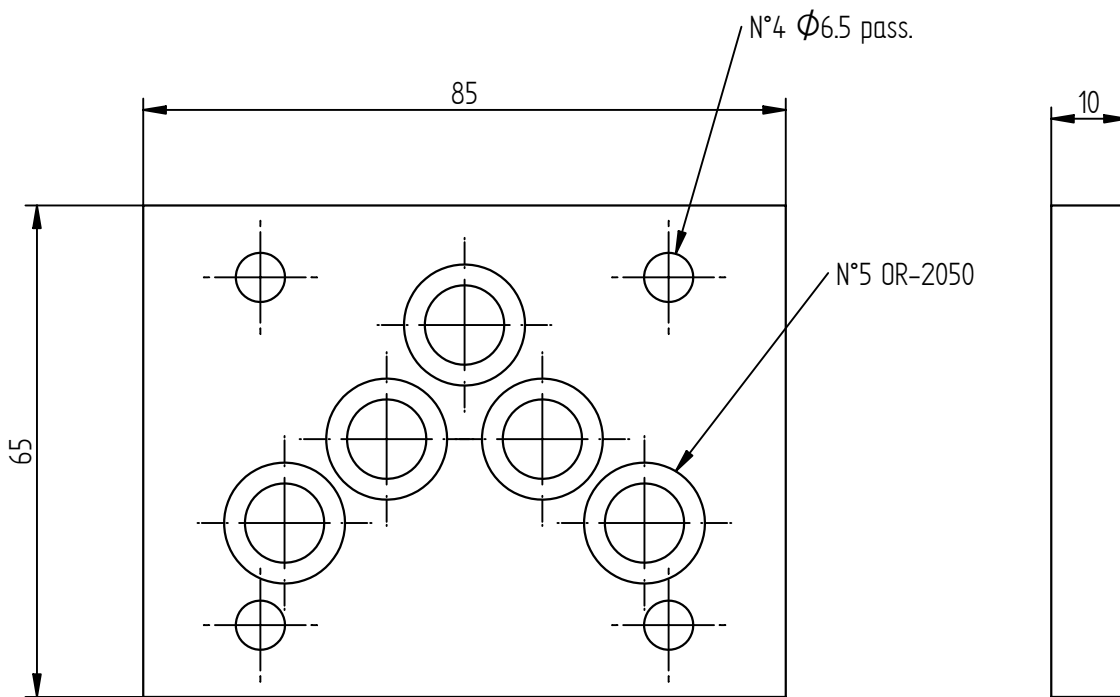
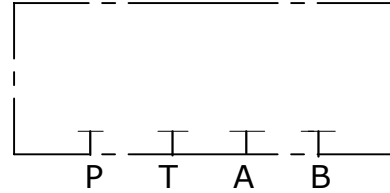
Via Nicolò Copernico 12/c-d  
 29027 Casoni Di Gariga - Podenzano (PC) Italy

www.oleodinamica2mp.it  
 Tel +39 0523 523231  
 Fax +39 0523 524509

**BASE DI CHIUSURA CETOP 5**  
**END PLATE CETOP 5**



Schema idraulico  
Hydraulic diagram



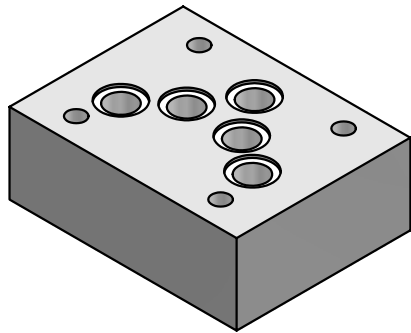
**ES 10-00-10**

S=STEEL  
A=ALUMINIUM

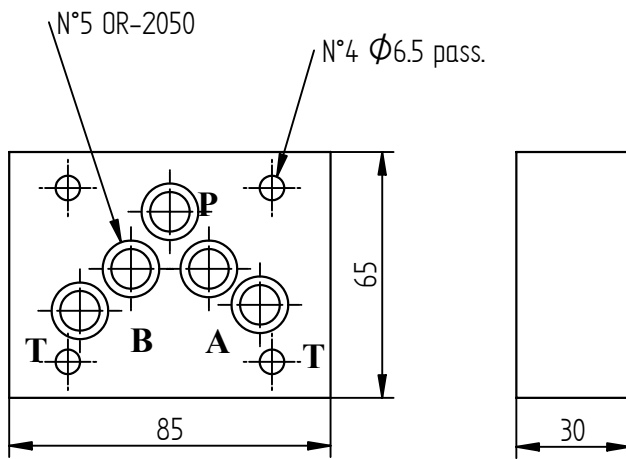
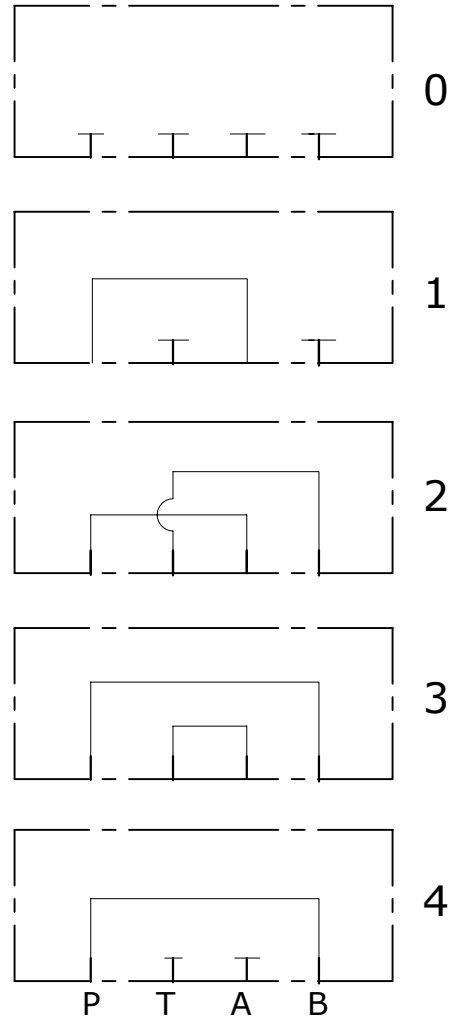
Via Nicolò Copernico 12/c-d  
29027 Casoli Di Gariga - Podenzano (PC) Italy

www.oleodinamica2mp.it  
Tel +39 0523 523231  
Fax +39 0523 524509

**BASE DI CHIUSURA - COLLEGAMENTO CETOP 5 CON ATTACCHI BSP  
 END - SUB - PLATE CETOP 5 WITH BSP PORT**



Schema idraulico  
 Hydraulic diagram



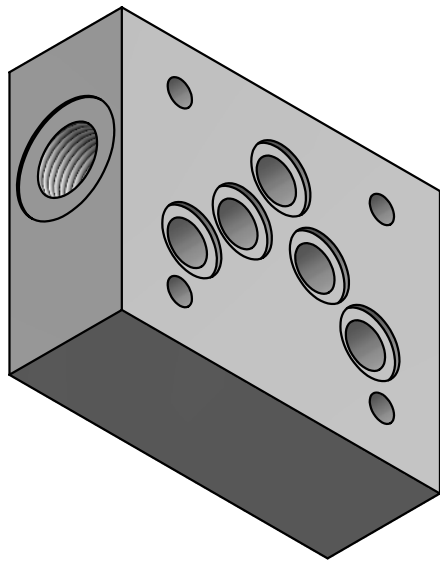
**ES 10-00-20-0**

S=STEEL  
 A=ALUMINIUM

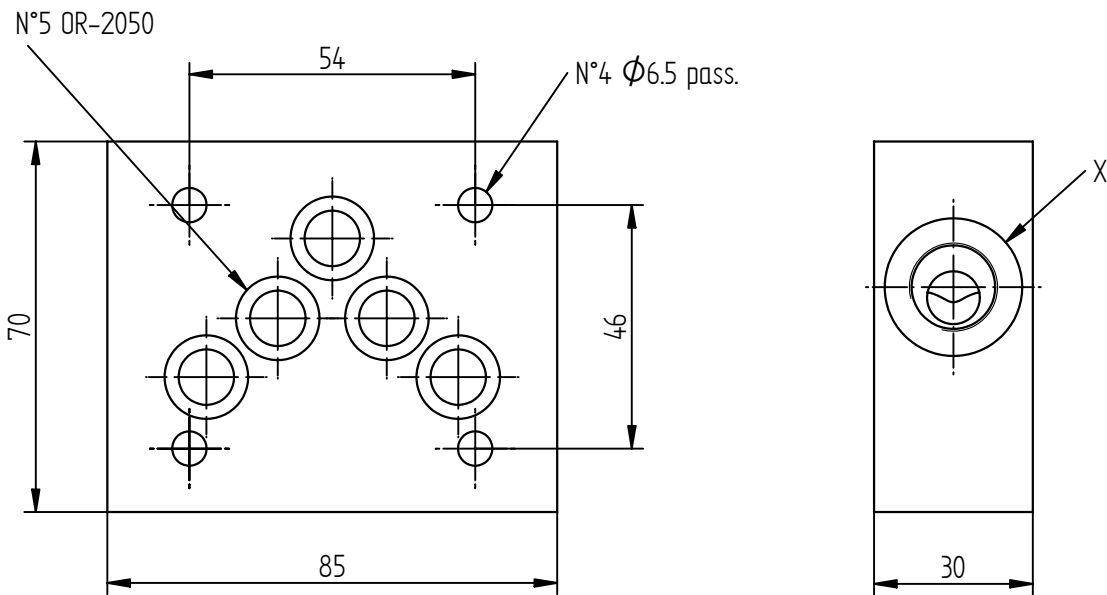
SEE DIAGRAMS

Via Nicolò Copernico 12/c-d  
 29027 Casoli Di Gariga - Podenzano (PC) Italy

www.oleodinamica2mp.it  
 Tel +39 0523 523231  
 Fax +39 0523 524509



COD	DIAGRAMS	
1	A+B	standard
2	A	on request
3	B	on request
4	P+T	standard
5	P	on request
6	T	on request
7	P+P	on request
8	T+T	on request



X = 1/4" BSP  
 3/8" BSP

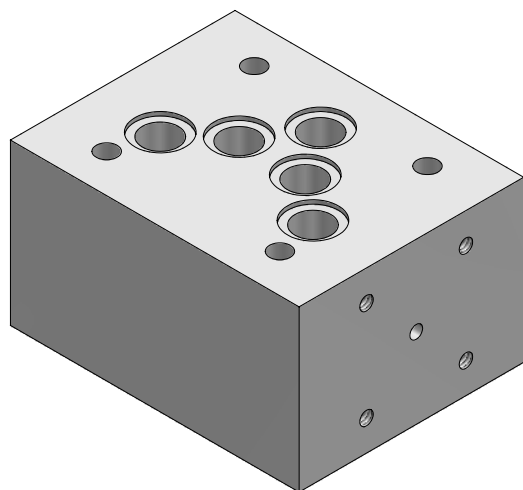
**ES 10-10-14-1**

S=STEEL  
 A=ALUMINIUM

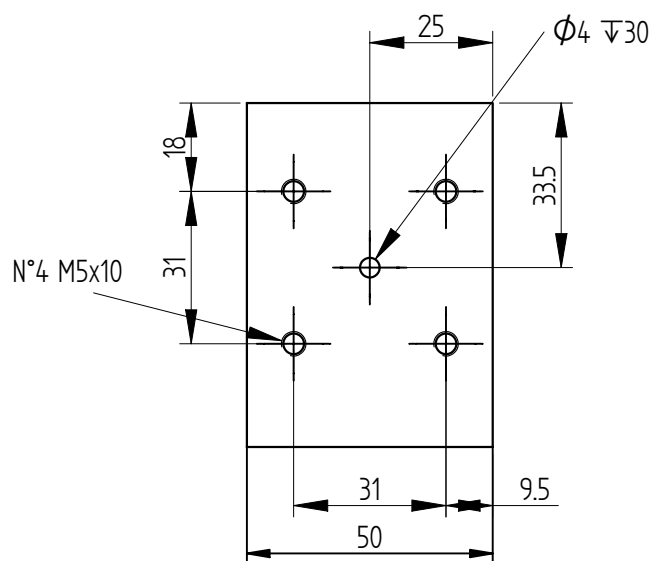
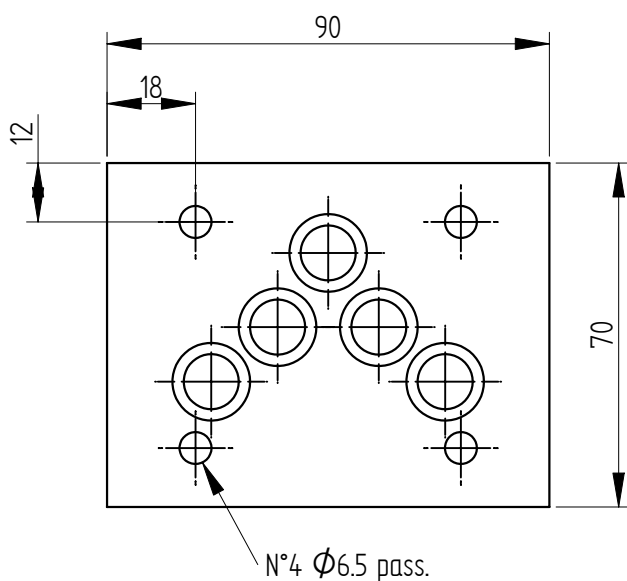
SEE DIAGRAMS

14=1/4"  
 38=3/8"

**PANNELLO MODULARE CETOP 5 PER PRESSOSTATO**  
**PACKING PLATE CETOP 5 FOR PRESSURE SWITCH**



COD	COLLEGAMENTI	
1	A+B	standard
2	A	standard
3	B	standard
4	P+T	on request
5	P	standard
6	T	on request
7	P+P	on request



**ES 610-10-1**

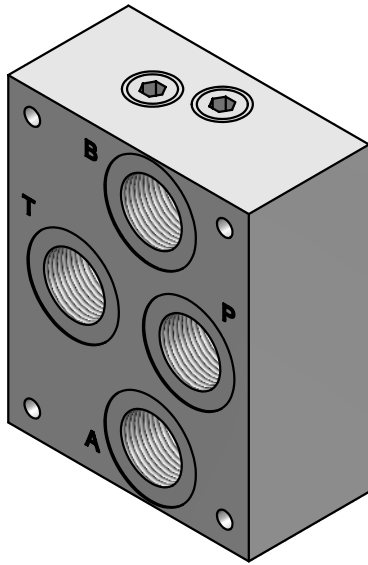
S=STEEL  
A=ALUMINIUM

SEE DIAGRAMS

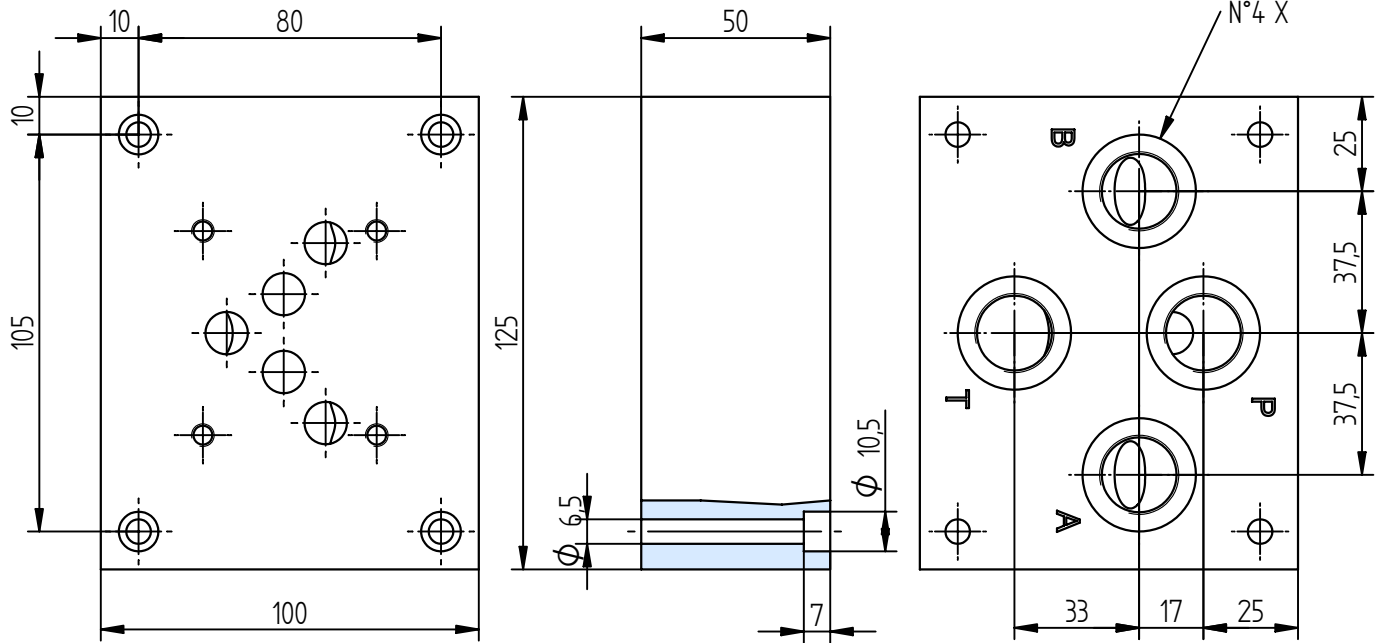
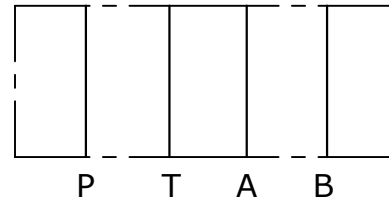
Via Nicolò Copernico 12/c-d  
29027 Casoli Di Gariga - Podenzano (PC) Italy

www.oleodinamica2mp.it  
Tel +39 0523 523231  
Fax +39 0523 524509

**BASE SINGOLA CETOP 5 CON UTILIZZI A-B-P-T POSTERIORI**  
**SUB - PLATE CETOP 5 WITH A-B-P-T PORTS BACK**



Schema idraulico  
Hydraulic diagram



X = 1/2" BSP  
3/4" BSP

**ES 10-01-12**

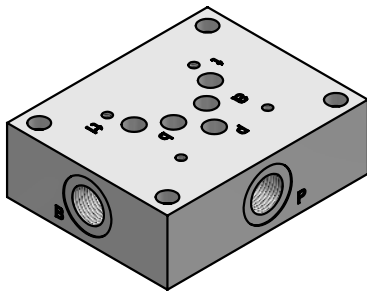
S=STEEL  
A=ALUMINIUM

12=1/2"  
34=3/4"

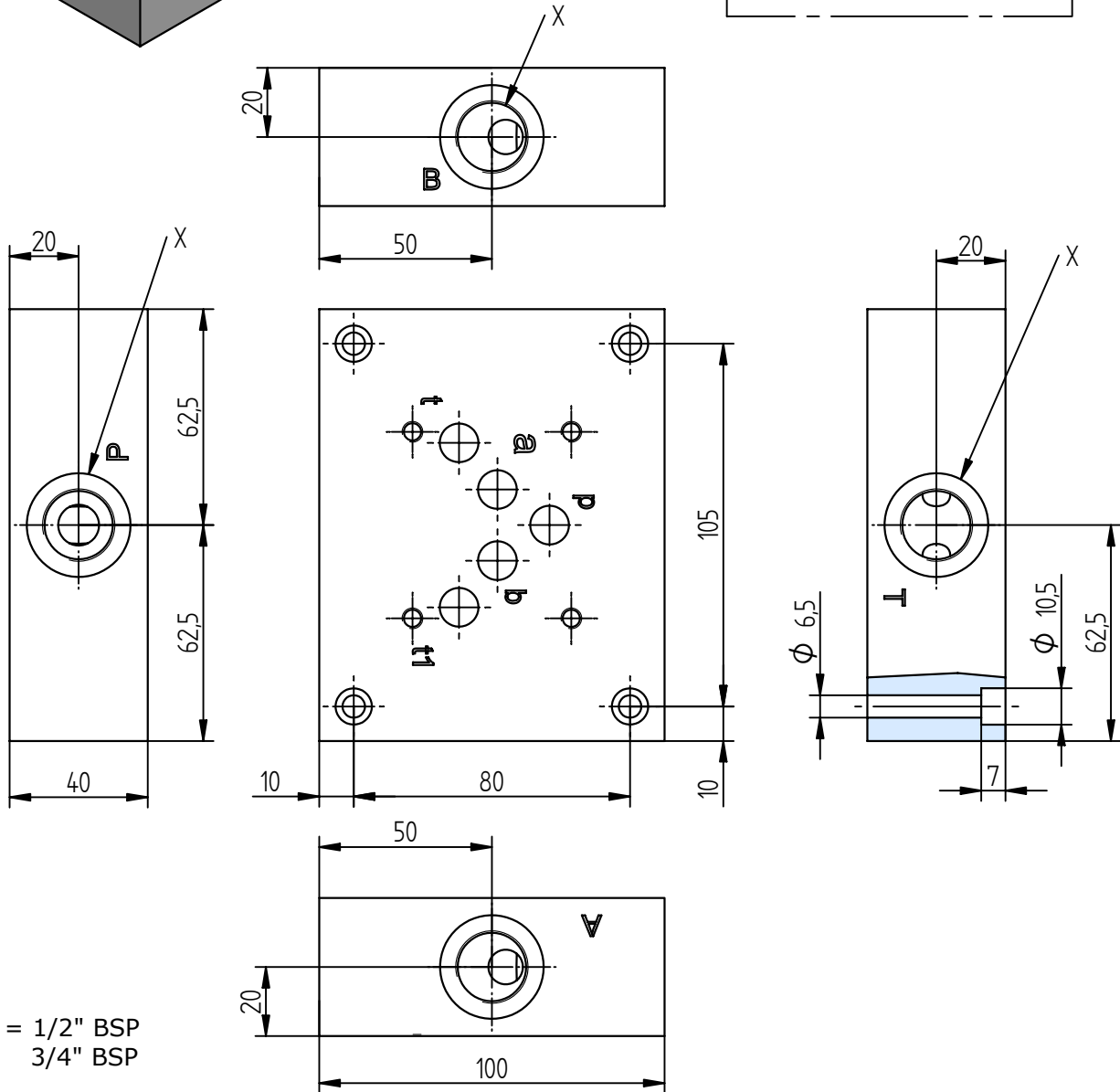
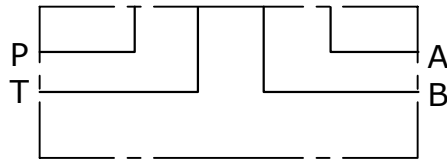
Via Nicolò Copernico 12/c-d  
29027 Casoli Di Gariga - Podenzano (PC) Italy

www.oleodinamica2mp.it  
Tel +39 0523 523231  
Fax +39 0523 524509

**BASE SINGOLA CETOP 5 CON UTILIZZI A-B-P-T LATERALI**  
**SUB - PLATE CETOP 5 WITH A-B-P-T PORTS ON SIDE**



Schema idraulico  
Hydraulic diagram



X = 1/2" BSP  
3/4" BSP

**ES 10-02-12**

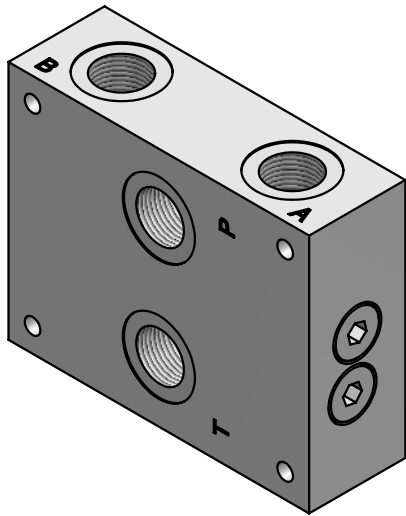
S=STEEL  
A=ALUMINIUM

12=1/2"  
34=3/4"

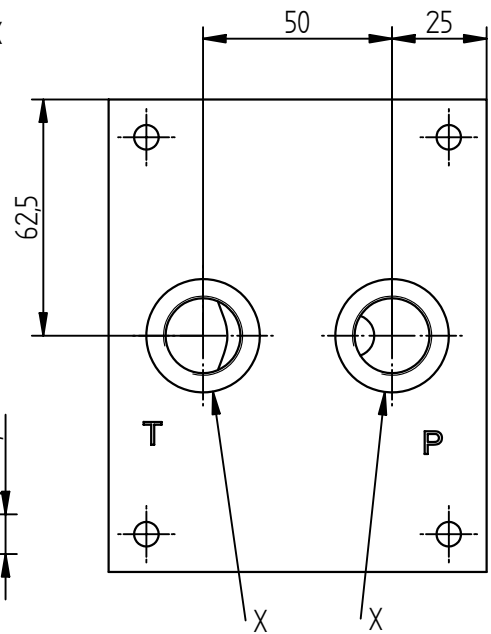
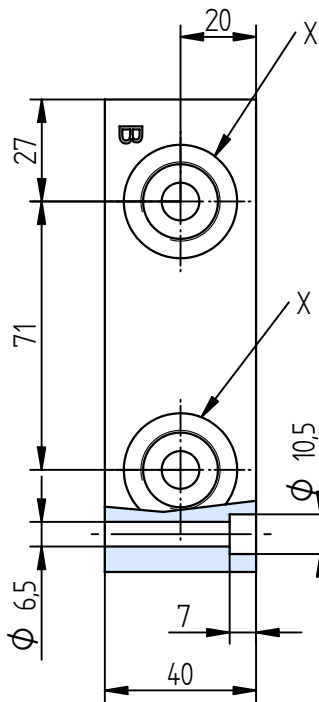
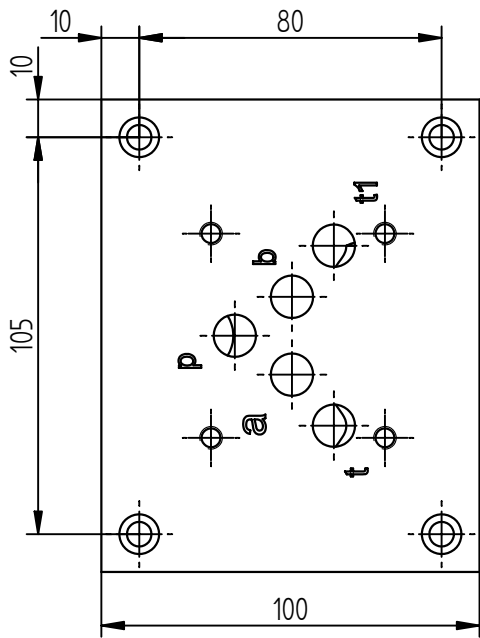
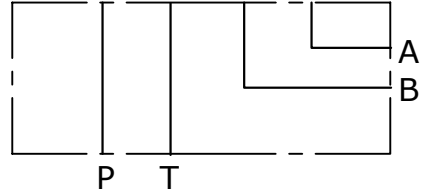
Via Nicolò Copernico 12/c-d  
29027 Casoli Di Gariga - Podenzano (PC) Italy

www.oleodinamica2mp.it  
Tel +39 0523 523231  
Fax +39 0523 524509

**BASE SINGOLA CETOP 5 CON UTILIZZI A-B LATERALI P-T POSTERIORI**  
**SUB - PLATE CETOP 5 WITH A-B PORTS ON SIDE P-T BACK**



Schema idraulico  
Hydraulic diagram



X = 1/2" BSP  
3/4" BSP

**ES 10-03-12**

S=STEEL  
A=ALUMINIUM

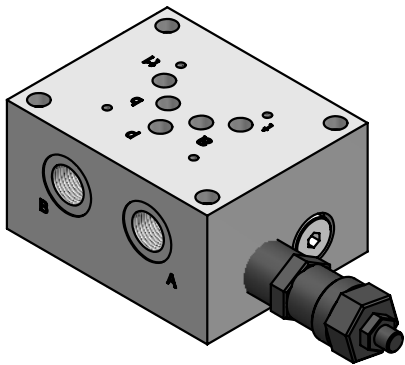
12=1/2"  
34=3/4"

Via Nicolò Copernico 12/c-d  
29027 Casoli Di Gariga - Podenzano (PC) Italy

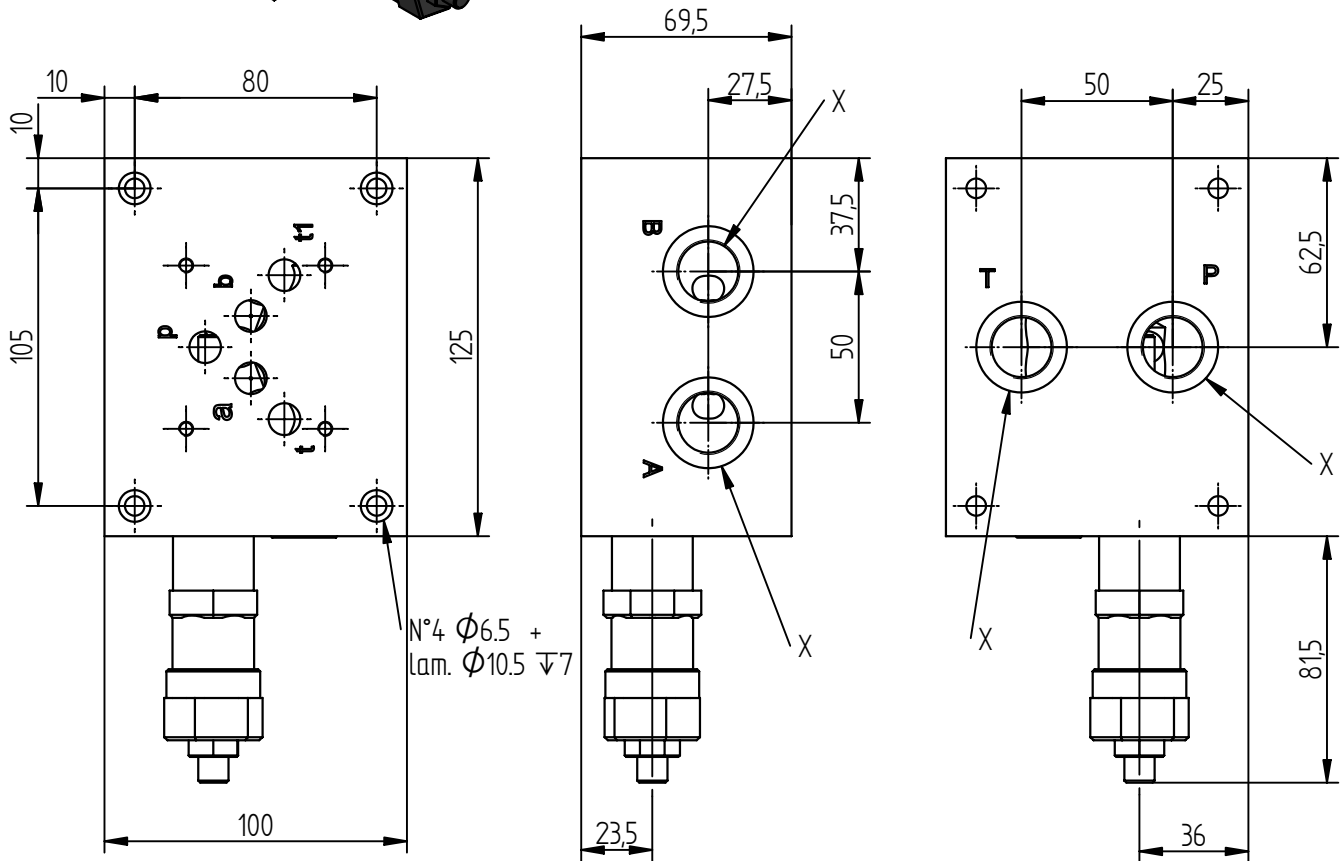
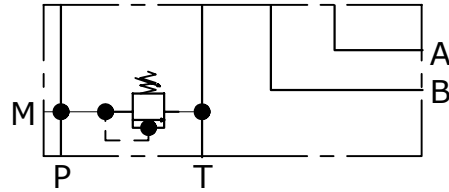
www.oleodinamica2mp.it  
Tel +39 0523 523231  
Fax +39 0523 524509



**BASE SINGOLA CETOP 5 CON UTILIZZI A-B LATERALI P-T POSTERIORI**  
**SUB - PLATE CETOP 5 WITH A-B PORTS ON SIDE P-T BACK**



Schema idraulico  
Hydraulic diagram



X = 1/2" BSP  
3/4" BSP

Valve and cavity = see page C01

**ES 10-04-12-0-0-H**

S=STEEL  
A=ALUMINIUM

12=1/2"  
34=3/4"

0=WITHOUT RELIEF VALVE  
1=WITH R. V.  
2=R.V. READY

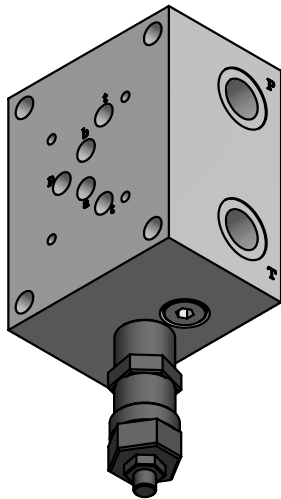
H=HEXAGONAL HEAD SCREW  
K=KNOB see page V01

0=WITHOUT R.V.  
1=5-50 BAR  
2=30-100 BAR  
3=50-250 BAR  
4=100-350 BAR

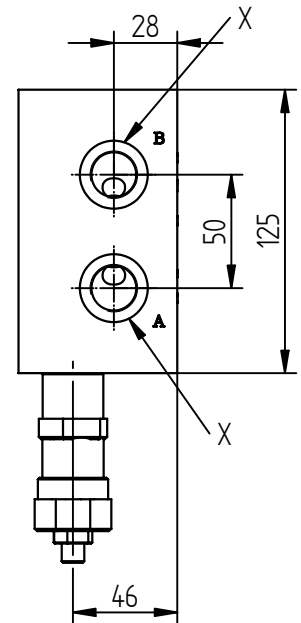
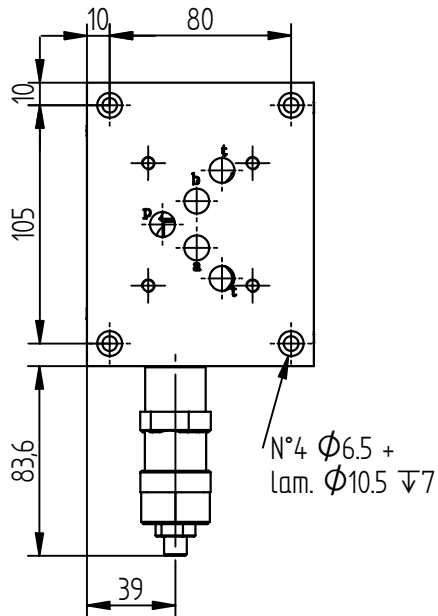
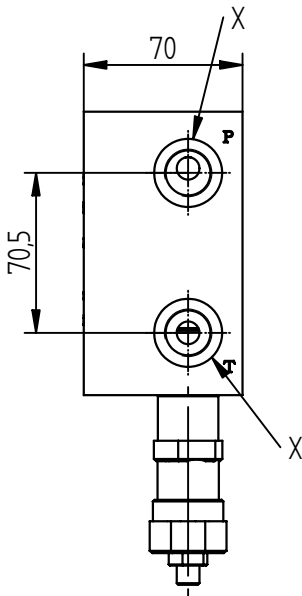
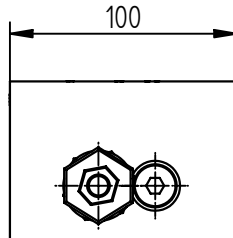
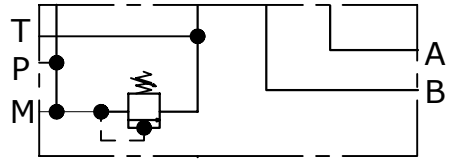
Via Nicolò Copernico 12/c-d  
29027 Casoli Di Gariga - Podenzano (PC) Italy

www.oleodinamica2mp.it  
Tel +39 0523 523231  
Fax +39 0523 524509

**BASE SINGOLA CETOP 5 CON UTILIZZI A-B-P-T LATERALI**  
**SUB - PLATE CETOP 5 WITH A-B-P-T PORTS ON SIDE**



Schema idraulico  
Hydraulic diagram



X = 1/2" BSP  
3/4" BSP

Valve and cavity = see page C01

**ES 10-08-12-0-0-H**

S=STEEL  
A=ALUMINIUM

12=1/2"  
34=3/4"

0=WITHOUT RELIEF VALVE  
1=WITH R. V.  
2=R.V. READY

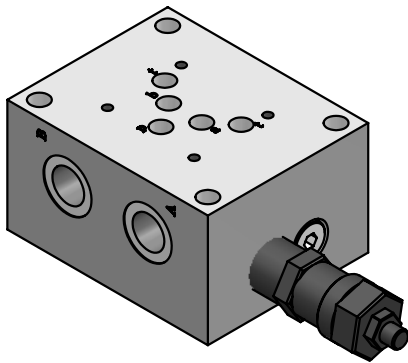
H=HEXAGONAL HEAD SCREW  
K=KNOB see page V01

0=WITHOUT R.V.  
1=5-50 BAR  
2=30-100 BAR  
3=50-250 BAR  
4=100-350 BAR

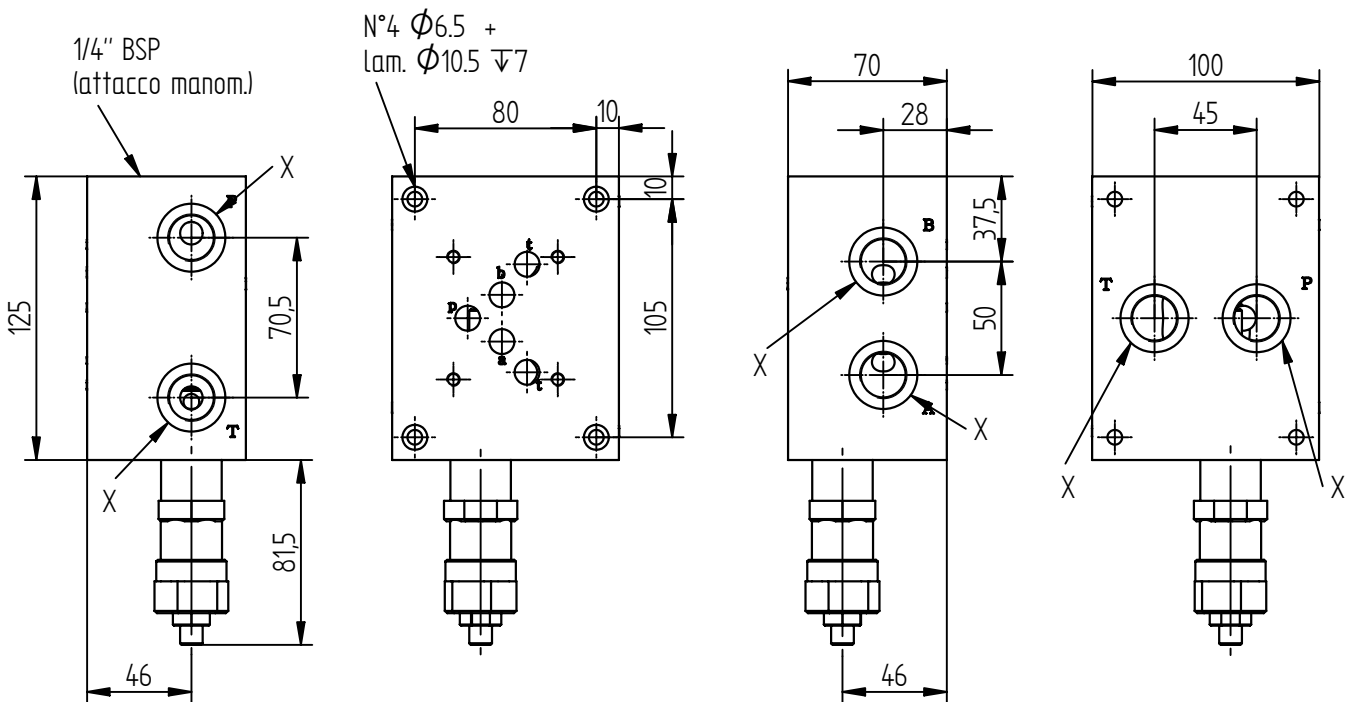
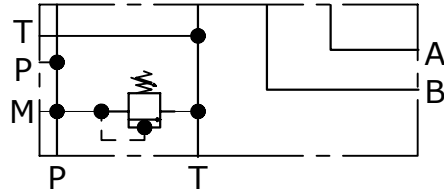
Via Nicolò Copernico 12/c-d  
29027 Casoni Di Gariga - Podenzano (PC) Italy

www.oleodinamica2mp.it  
Tel +39 0523 523231  
Fax +39 0523 524509

**BASE SINGOLA CETOP 5 CON UTILIZZI A-B-P-T LAT. P-T POSTERIORI**  
**SUB - PLATE CETOP 5 WITH A-B-P-T ON SIDE PORTS P-T BACK**



Schema idraulico  
Hydraulic diagram



X = 3/8" BSP  
 3/4" BSP

Valve and cavity = see page C01

**ES 10-09-12-0-0-H**

S=STEEL  
 A=ALUMINIUM

12=1/2"  
 34=3/4"

0=WITHOUT RELIEF VALVE  
 1=WITH R. V.  
 2=R.V. READY

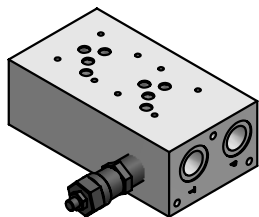
H=HEXAGONAL HEAD SCREW  
 K=KNOB see page V01

0=WITHOUT R.V.  
 1=5-50 BAR  
 2=30-100 BAR  
 3=50-250 BAR  
 4=100-350 BAR

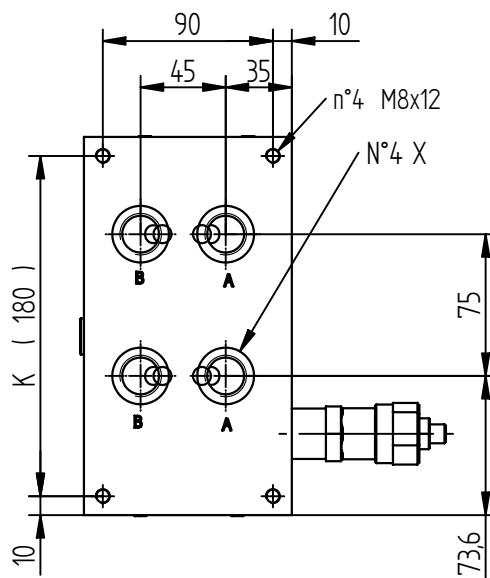
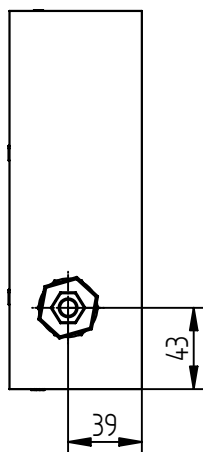
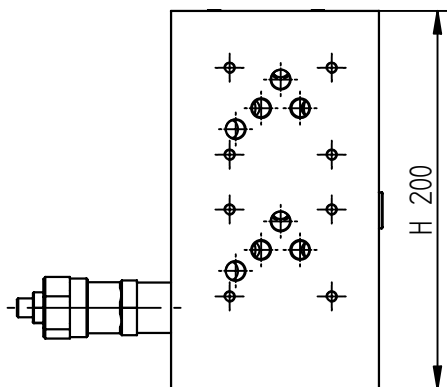
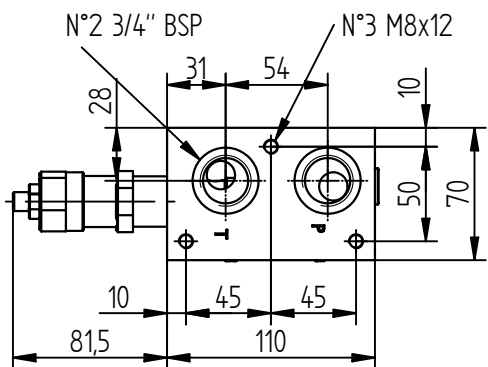
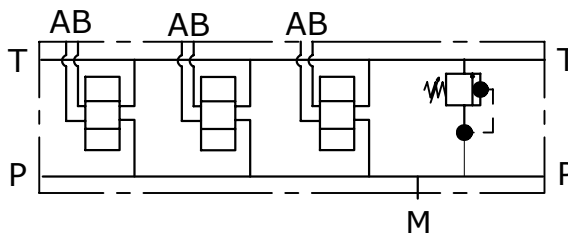
Via Nicolò Copernico 12/c-d  
 29027 Casoli Di Gariga - Podenzano (PC) Italy

www.oleodinamica2mp.it  
 Tel +39 0523 523231  
 Fax +39 0523 524509

**MONOBLOCCO A-B POSTERIORI 1/2" P-T 3/4" BSP**  
**MONOBLOCK A-B BACK 1/2" P-T 3/4" BSP**



Schema idraulico  
Hydraulic diagram



**ES 10-05-12-06-0-0-H**

X = 1/2" BSP  
3/4" BSP

S=STEEL  
A=ALUMINIUM

12=1/2"  
34=3/4"

MOUNTING POSITIONS: 02÷06

0=WITHOUT RELIEF VALVE  
1=WITH R. V.  
2=R. V. READY

H=HEXAGONAL HEAD SCREW  
K=KNOB see page V01

0=WITHOUT R.V.  
1=5-50 BAR  
2=30-100 BAR  
3=50-250 BAR  
4=100-350 BAR

Venting valve to be sold separately

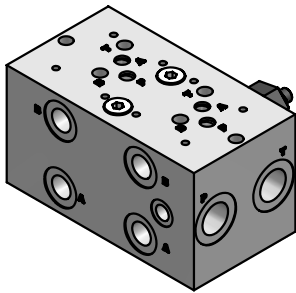
Valve and cavity = see page C01

POS.	02	03	04	05	06
H	200	275	350	425	500
K	180	225	330	405	480

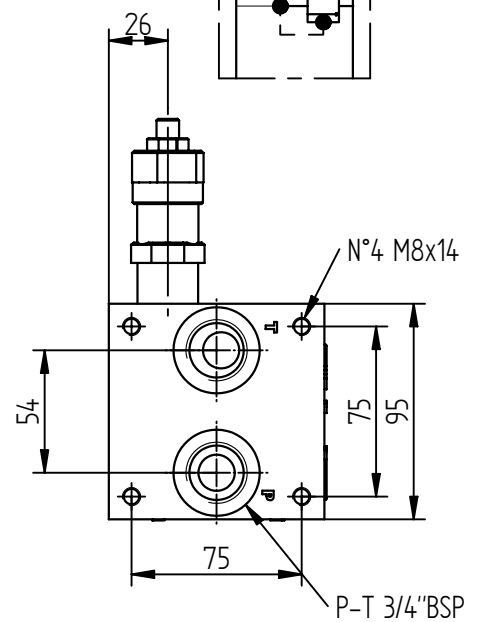
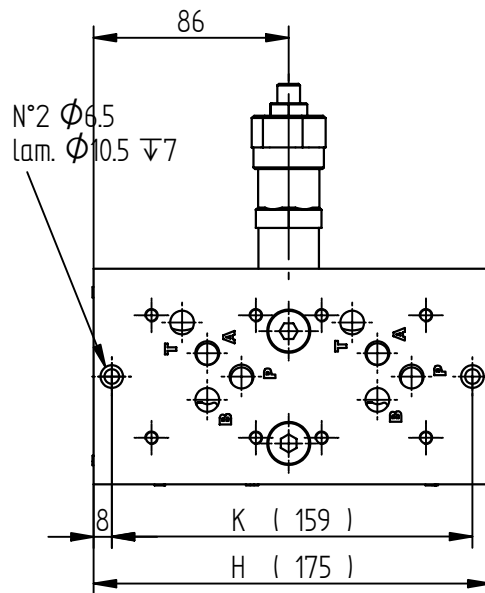
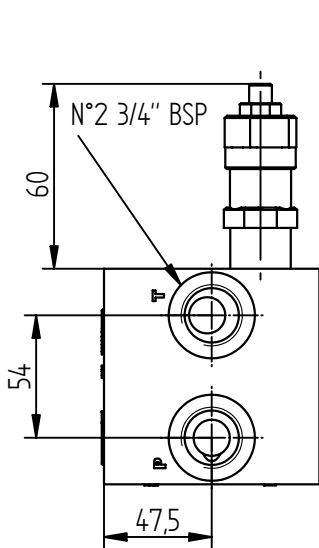
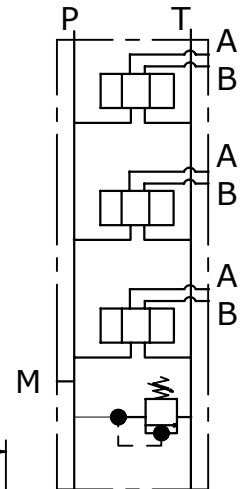
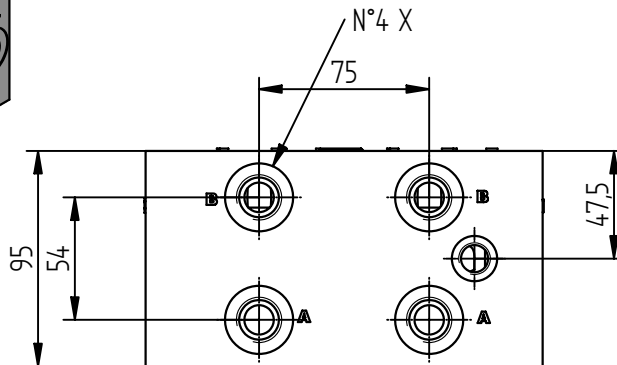
Via Nicolò Copernico 12/c-d  
29027 Casoli Di Gariga - Podenzano (PC) Italy

www.oleodinamica2mp.it  
Tel +39 0523 523231  
Fax +39 0523 524509

**MONOBLOCCO A-B LATERALI P-T 3/4" BSP**  
**MONOBLOCK A-B ON SIDE P-T 3/4" BSP**



Schema idraulico  
Hydraulic diagram



X = 1/2" BSP  
3/4" BSP

**ES 10-06-12-06-0-0-H**

S=STEEL  
A=ALUMINIUM

12=1/2"  
34=3/4"

MOUNTING POSITIONS: 01÷06

0=WITHOUT RELIEF VALVE  
1=WITH R. V.  
2=R.V. READY

H=HEXAGONAL HEAD SCREW  
K=KNOB see page V01

0=WITHOUT R.V.  
1=5-50 BAR  
2=30-100 BAR  
3=50-250 BAR  
4=100-350 BAR

Valve and cavity = see page C01

POS.	01	02	03	04	05	06
H	100	175	250	325	400	475
K	84	159	234	309	384	459

Via Nicolò Copernico 12/c-d  
29027 Casoli Di Gariga - Podenzano (PC) Italy

www.oleodinamica2mp.it  
Tel +39 0523 523231  
Fax +39 0523 524509